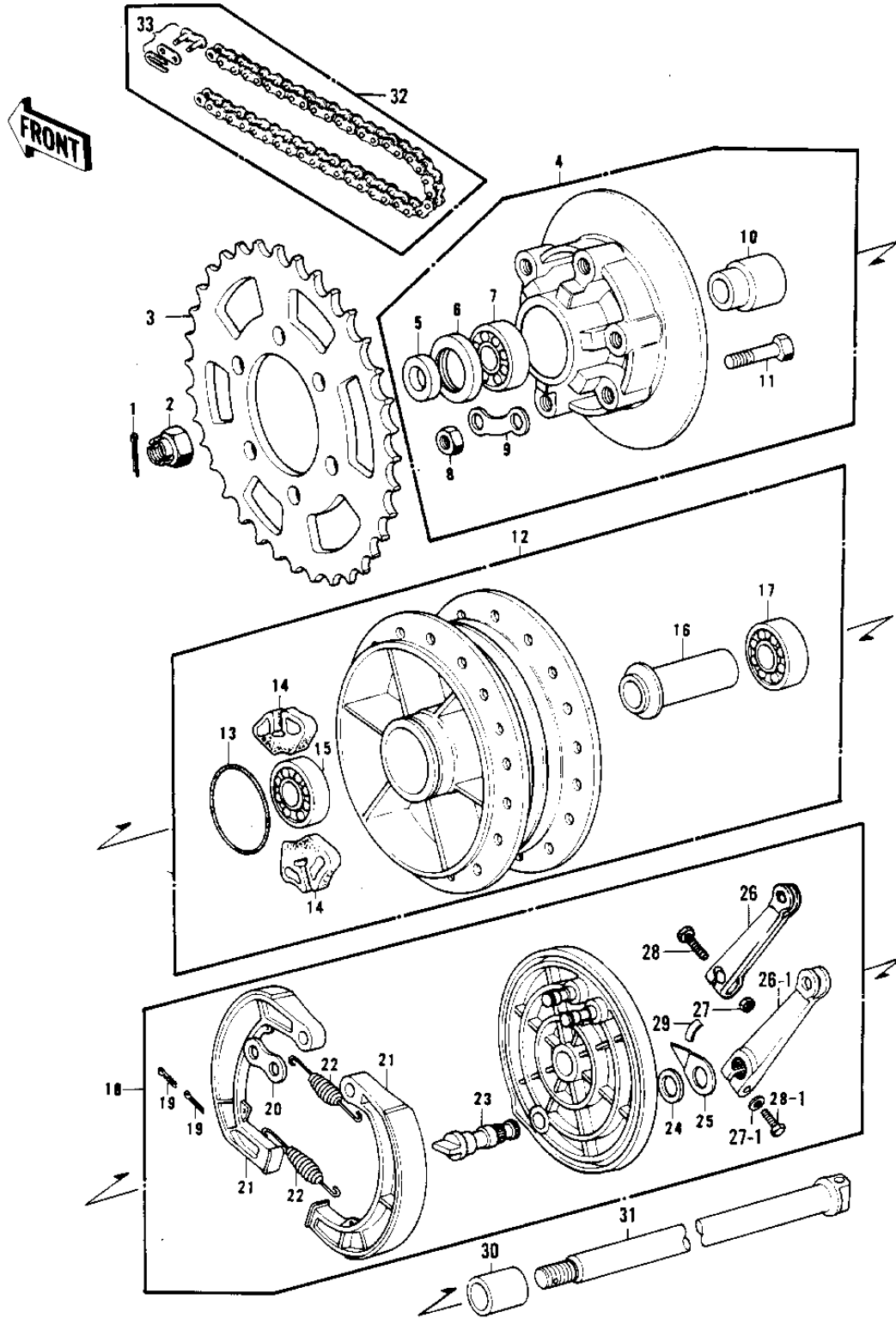


# 1974 Mach II PARTS DIAGRAM

REAR HUB/BRAKE/CHAIN (74-'75 S3/S3-A)



# 1974 Mach II PARTS LIST

REAR HUB/BRAKE/CHAIN ('74-'75 S3/S3-A)

ITEM NAME	PART NUMBER	QUANTITY
PIN-COTTER,4.0X35 (Ref # 1)	550D4035	1
NUT CASTLE,16MM (Ref # 2)	92015-055	1
REAR SPROCKET,41T (Ref # 3)	42041-138	1
REAR SPROCKET 38T (Ref # 3)	42041-063	(1
REAR SPROCKET 43T (Ref # 3)	42041-102	(1
COUPLING ASSY,RR BRK (Ref # 4)	42008-020	1
COLLAR,REAR AXLE (Ref # 5)	42037-024	1
OIL SEAL WTC35527 (Ref # 6)	92052-006	1
BEARING BALL #6205 (Ref # 7)	601B6205	1
NUT,10MM (Ref # 8)	314B1000	4
WASHER SPROCKET LOCK (Ref # 9)	92088-005	2
SLEEVE,REAR AXLE (Ref # 10)	42036-019	1
BOLT-REAR SPROCKET (Ref # 11)	92003-087	4
DRUM ASSY REAR BRAKE (Ref # 12)	42005-009	1
DRUM-ASSY,RR BRK (Ref # 12-1)	41034-5001	AL
"0" RING,60MM (Ref # 13)	671B2560	1
DAMPER REAR HUB SHOCK (Ref # 14)	42014-008	4
BEARING BALL #6205 (Ref # 15)	601B6205	1
SPACER,RR HUB BEARING (Ref # 16)	42010-007	1
SPACER RR HUB BEARING (Ref # 16)	42010-008	AL
BEARING BALL #6205Z (Ref # 17)	601B6205Z	1
PANEL-ASY,RR BRK (Ref # 18)	42006-060-80	1
PANEL-ASY,RR BRK (Ref # 18)	42006-060-80	1
PIN COTTER 2.0X25 (Ref # 19)	550D2025	2
WASHER,BRAKE SHOE (Ref # 20)	41045-007	1
SHOE REAR BRAKE (Ref # 21)	42019-003	2
SPRING BRAKE SHOE (Ref # 22)	41049-003	2
CAM SHAFT,REAR BRAKE (Ref # 23)	42026-015	1
DUST SHIELD BRAKE CAM (Ref # 24)	41051-001	1

## 1974 Mach II PARTS LIST

REAR HUB/BRAKE/CHAIN ('74-'75 S3/S3-A)

ITEM NAME	PART NUMBER	QUANTITY
INDICATOR,BRAKE PANEL (Ref # 25)	41085-009	1
LEVER,REAR BRAKE CAM (Ref # 26)	42029-037	1
LEVER,REAR BRAKE CAM (Ref # 26-1)	42029-037	1
NUT,6MM (Ref # 27)	41072-007	1
WASHER PLAIN 6MM (Ref # 27-1)	410B0600	1
BOLT-UPSET,6X40 (Ref # 28)	112G0640	1
BOLT-UPSET (Ref # 28-1)	112G0625	1
LABEL (Ref # 29)	41084-001	1
COLLAR,REAR AXLE (Ref # 30)	42032-049	1
AXLE,REAR (Ref # 31)	42031-047	1
DR CHAIN 530X104E (Ref # 32)	92057-085	1
CHAIN JOINT 530 (Ref # 33)	92058-008	1