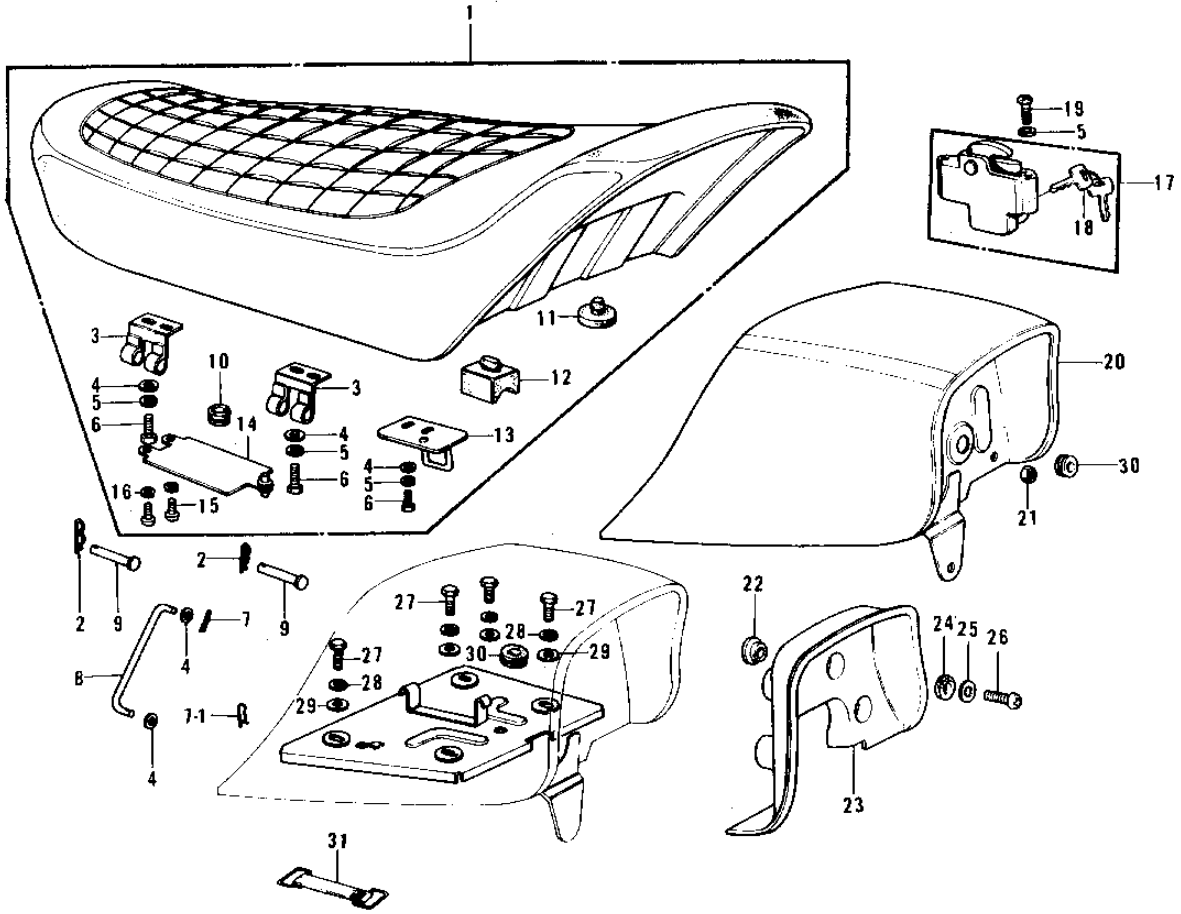


1974 Mach II PARTS DIAGRAM

SEAT/SEAT COVER ('74-'75 S3/S3-A)



1974 Mach II PARTS LIST

SEAT/SEAT COVER ('74-'75 S3/S3-A)

ITEM NAME	PART NUMBER	QUANTITY
SEAT-ASSY,DUAL (Ref # 1)	53001-102	1
COTTER PIN (Ref # 2)	92041-003	2
HINGE,BLACK (Ref # 3)	53009-017-10	2
WASHER PLAIN 6MM (Ref # 4)	410B0600	8
WASHER SPRING 6MM (Ref # 5)	461F0600	8
BOLT-UPSET 6X14 (Ref # 6)	112B0614	6
PIN COTTER 1.6X15 (Ref # 7)	550D1615	2
COTTER PIN (Ref # 7)	92041-003	AL
STAND,SEAT (Ref # 8)	53054-002	1
PIN (Ref # 9)	53011-002	2
GROMMET (Ref # 10)	92071-056	1
DAMPER RUBBER (Ref # 11)	92075-099	1
DAMPER RUBBER-SEAT (Ref # 12)	92075-156	4
HOOK,SEAT (Ref # 13)	53008-024	1
CASE (Ref # 14)	32099-011	1
SCREW PAN HEAD 4X10 (Ref # 15)	220B0410	2
WASHER SPRING 4MM (Ref # 16)	461F0400	2
LOCK ASSY,SEAT (Ref # 17)	53045-013	1
KEY SET,#901 (Ref # 18)	27008-055-01	AR
KEY SET,#910 (Ref # 18)	27008-055-10	AR
SCREW PAN HEAD 6X14 (Ref # 19)	220B0614	2
BACK REST,C.RED (Ref # 20)	53043-008-2A	1
BACK REST,C.BLUE (Ref # 20)	53043-008-2B	1
BACKREST,C.S.RED (Ref # 20)	53043-008-2V	1
BACKREST,C.GREEN (Ref # 20)	53043-008-2Y	1
NUT 6MM (Ref # 21)	311B0600	4
DAMPER RUBBER (Ref # 22)	92075-169	4
COVER,BACKREST (Ref # 23)	53057-004	1
DAMPER RUBBER (Ref # 24)	92075-168	4

1974 Mach II PARTS LIST

SEAT/SEAT COVER ('74-'75 S3/S3-A)

ITEM NAME	PART NUMBER	QUANTITY
WASHER-PLAIN,7MM (Ref # 25)	92022-240	4
SCREW PAN HEAD 6X28 (Ref # 26)	220B0628	4
BOLT-SMALL-UPSET,8X18 (Ref # 27)	115G0818	4
WASHER SPRING 8MM (Ref # 28)	461F0800	4
WASHER PLAIN 8MM (Ref # 29)	411B0800	4
GROMMET (Ref # 30)	92071-059	2
BAND TOOL (Ref # 31)	92072-012	1