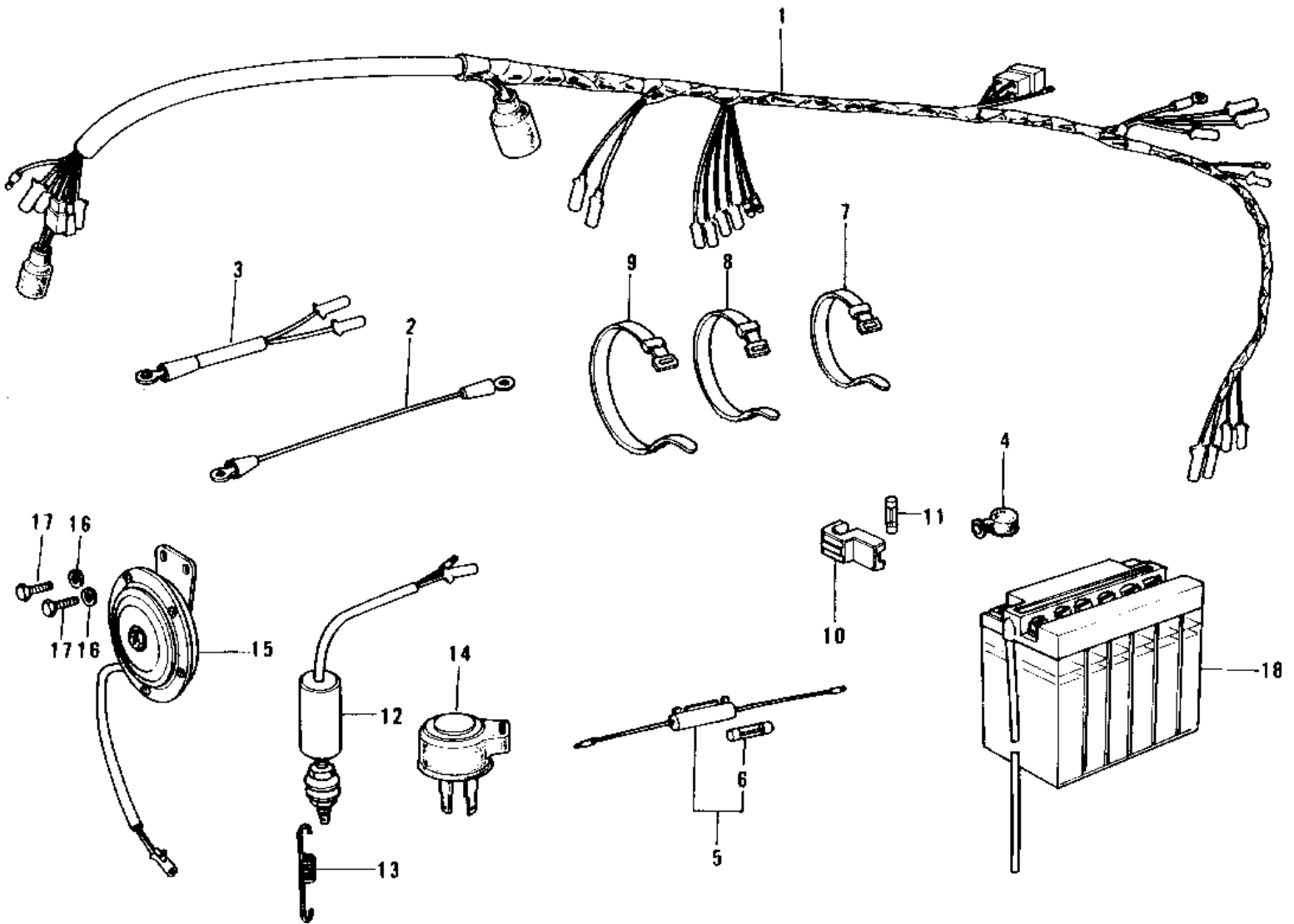


1975 Mach II PARTS DIAGRAM

CHASSIS ELECTRICAL EQUIPMENT ('74-'75 S3)



1975 Mach II PARTS LIST

CHASSIS ELECTRICAL EQUIPMENT ('74-'75 S3)

ITEM NAME	PART NUMBER	QUANTITY
WIRING HARNESS,MAIN (Ref # 1)	26001-104	
UNAVAILABLE IN PRICE BOOK (Ref # 2)	26010-107	
WIRE-LEAD (Ref # 2)	26011-084	
WIRE,BATTERY LEAD (Ref # 3)	26010-033	
CAP BAT TERMINAL RUBB (Ref # 4)	92073-001	
FUSE ASSY (Ref # 5)	26004-013	
FUSE 20A (Ref # 6)	26006-002	
BAND,SHORT (Ref # 7)	92072-030	
BAND,MIDDLE (Ref # 8)	92072-031	
BAND,WIRING HARNESS (Ref # 9)	92072-056	
HOLDER,SPARE FUSE (Ref # 10)	26016-002	
FUSE 20A (Ref # 11)	26006-002	
SWITCH-BRAKE LAMP (Ref # 12)	27010-020	
SWITCH-BRAKE LAMP (Ref # 12)	27010-015	
SPRING-BRAKE LAMP SW (Ref # 13)	27011-013	
RELAY-TURN SIGNAL (Ref # 14)	27002-011	
HORN (Ref # 15)	27003-042	
WASHER SPRING 8MM (Ref # 16)	461F0800	
BOLT-SMALL-UPSET,8X16 (Ref # 17)	115G0816	
FB BAT 12N5.5-4A (Ref # 18)	26012-022	