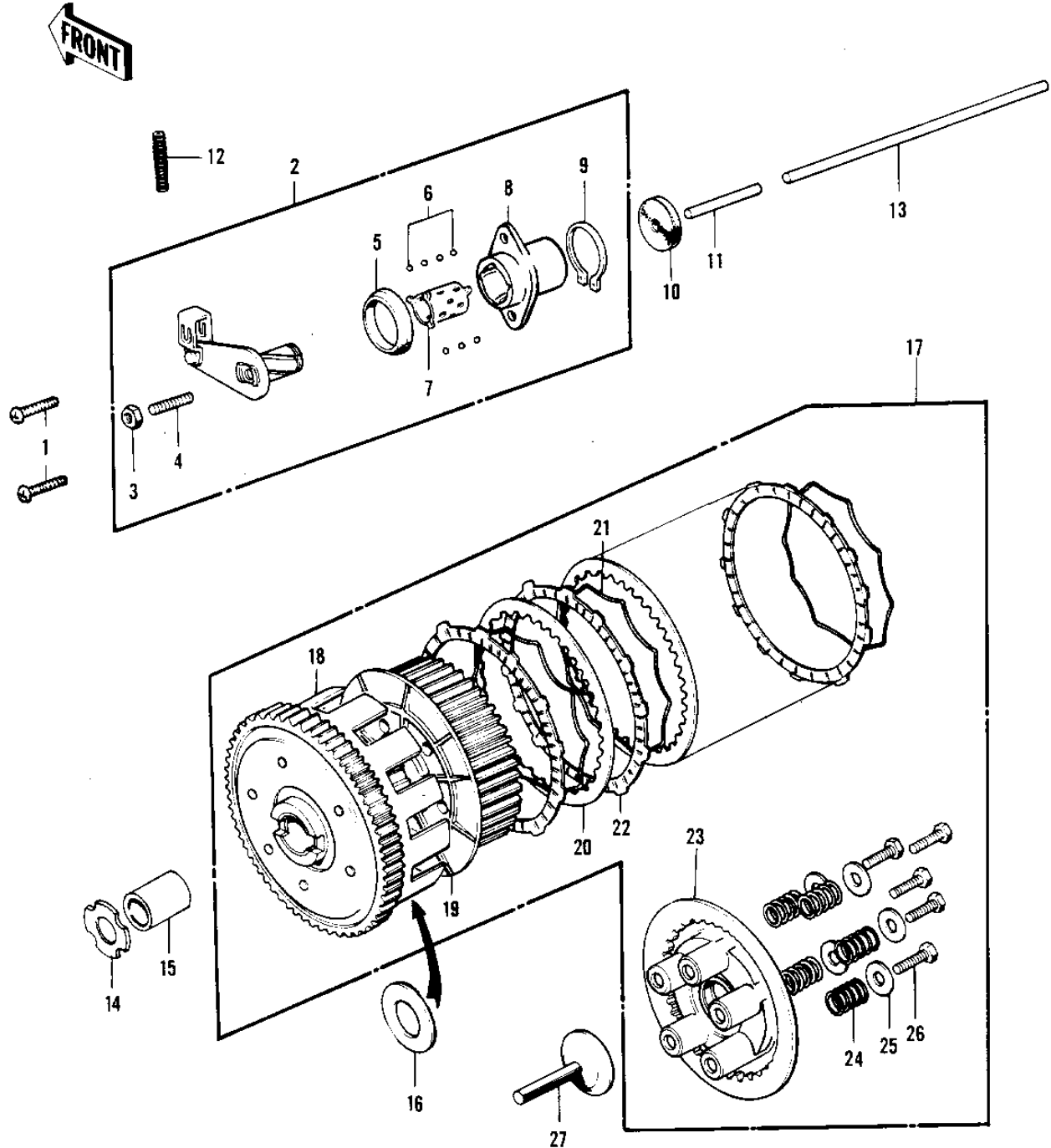


1974 Mach II PARTS DIAGRAM

CLUTCH ('76-'78 A3/A4/A5)



1974 Mach II PARTS LIST

CLUTCH ('76-'78 A3/A4/A5)

ITEM NAME	PART NUMBER	QUANTITY
SCREW PAN HEAD 6X16 (Ref # 1)	220B0616	2
RELEASE ASSY,CLUTCH (Ref # 2)	13231-1001	1
RELEASE ASSY,CLUTCH (Ref # 2)	13231-1001	1
NUT 6MM (Ref # 3)	311B0600	1
SCREW SLOTTED (Ref # 4)	291Z0625	1
OIL SEAL (Ref # 5)	92056-007	1
BALL,STEEL,1/8" (Ref # 6)	600A0400	11
RETAINER (Ref # 7)	13197-006	1
OUTER,CLUTCH RELEASE (Ref # 8)	13118-015	1
CIRCLIP 15MM (Ref # 9)	480J1500	1
OIL SEAL TC7297 (Ref # 10)	92050-040	1
ROD CLUTCH PUSH SHORT (Ref # 11)	13116-010	1
SPRING-CLUTCH RELEASE (Ref # 12)	92081-096	1
ROD-CLUTCH PUSH,LONG (Ref # 13)	13116-019	1
WASHER THRUST (Ref # 14)	92022-119	1
BUSH CLUTCH (Ref # 15)	92028-045	1
WASHER-PLAIN,20MM (Ref # 16)	92022-189	1
CLUTCH-ASSY (Ref # 17)	13081-1070	1
CLUTCH-ASSY (Ref # 17)	13081-1070	1
CLUTCH-ASSY (Ref # 17)	13081-1070	1
HOUSING-COMP-CLUTCH (Ref # 18)	13095-1040	1
HOUSING-COMP-CLUTCH (Ref # 18)	13095-1040	1
HUB,CLUTCH (Ref # 19)	13087-036	1
PLATE CLUTCH STEEL (Ref # 20)	13089-003	6
RING-CLUTCH STEEL (Ref # 21)	13229-002	7
PLATE-FRICTION (Ref # 22)	13088-1015	7
PLATE-CLUTCH SPRING (Ref # 23)	13187-004	1
SPRING-CLUTCH (Ref # 24)	92081-095	5
WASHER-PLAIN,5MM (Ref # 25)	92022-167	5