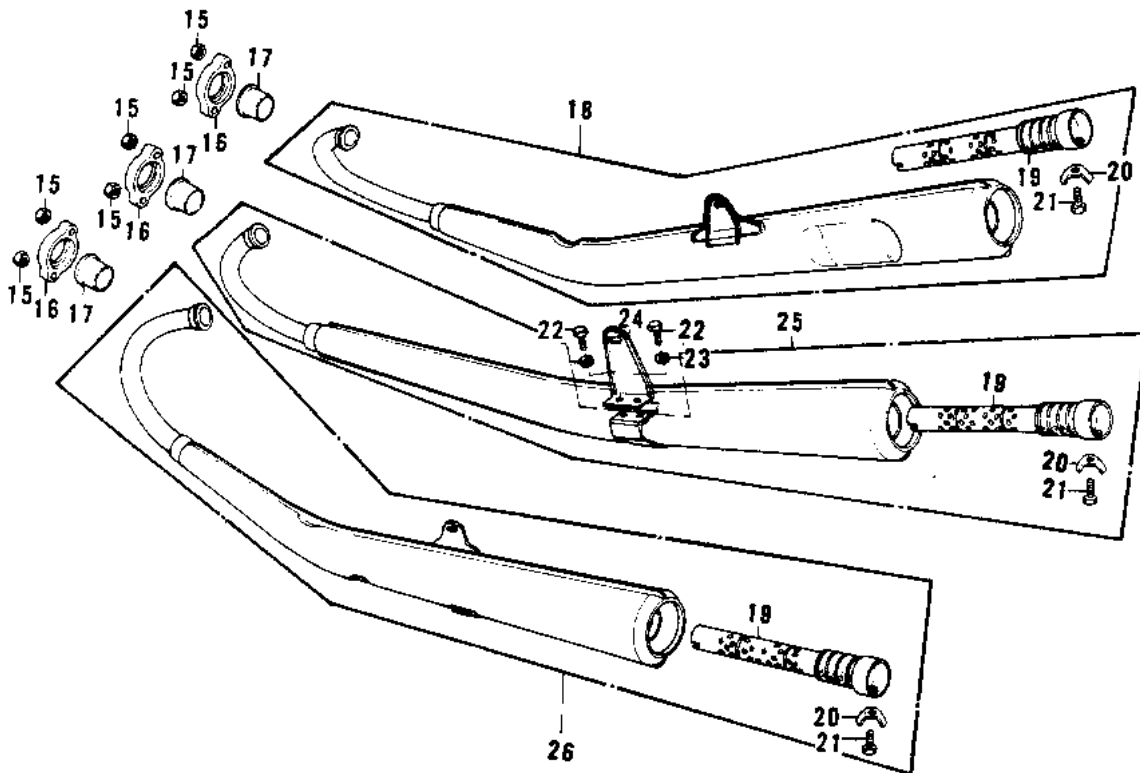
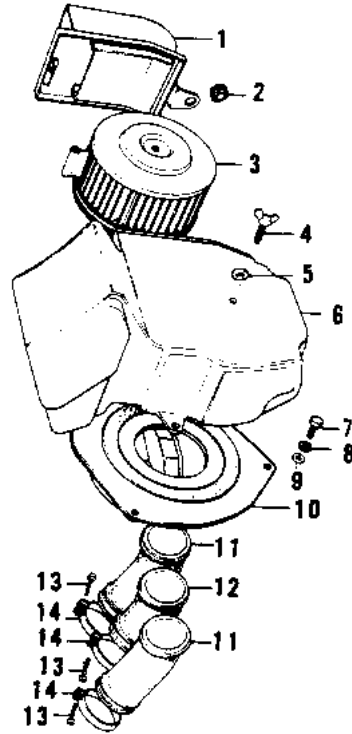


# 1975 Mach II PARTS DIAGRAM

AIR CLEANERS/MUFFLERS



**FRONT** 

# 1975 Mach II PARTS LIST

## AIR CLEANERS/MUFFLERS

ITEM NAME	PART NUMBER	QUANTITY
CAP,AIR CLEANER (Ref # 1)	11012-056	
GROMMET (Ref # 2)	92071-056	
ELEMENT,AIR CLNR (Ref # 3)	11013-052	
BOLT,CLNR ELEMENT (Ref # 4)	92003-199	
WASHER-PLAIN (Ref # 5)	92022-021	
BODY,AIR CLEANER (Ref # 6)	11011-051	
BOLT-UPSET,6X20 (Ref # 7)	112G0620	
WASHER SPRING 6MM (Ref # 8)	461F0600	
WASHER PLAIN 6MM (Ref # 9)	411B0600	
BODY,AIR CLEANER (Ref # 10)	11011-052	
PIPE-AIR INLT,R.H&L.H (Ref # 11)	11015-024	
PIPE-AIR INLET,CENTER (Ref # 12)	11015-025	
SCREW-PAN-CROS,6X35,B (Ref # 13)	220C0635	
CLAMP (Ref # 14)	92037-1326	
NUT,LOCK,8MM (Ref # 15)	92017-013	
HOLDER,EXHAUST PIPE (Ref # 16)	18069-054	
INSERT,EXH PIPE HLDR (Ref # 17)	18070-011	
MUFFLER ASSY,R.H. (Ref # 18)	18001-209	
MUFFLER ASSY,R.H. (Ref # 18)	18001-209	
BAFFLE TUBE (Ref # 19)	18033-097	
WASHER LOCK 6MM (Ref # 20)	92024-016	
BOLT-UPSET,6X12 (Ref # 21)	112G0612	
BOLT-SMALL-UPSET,8X16 (Ref # 22)	115G0816	
WASHER SPRING 8MM (Ref # 23)	461F0800	
BRACKET,MUFFLER (Ref # 24)	18061-042	
MUFFLER ASSY,CENTER (Ref # 25)	18001-208	
MUFFLER ASSY,CENTER (Ref # 25)	18001-208	
MUFFLER ASSY,L.H. (Ref # 26)	18001-207	
MUFFLER ASSY,L.H. (Ref # 26)	18001-207	