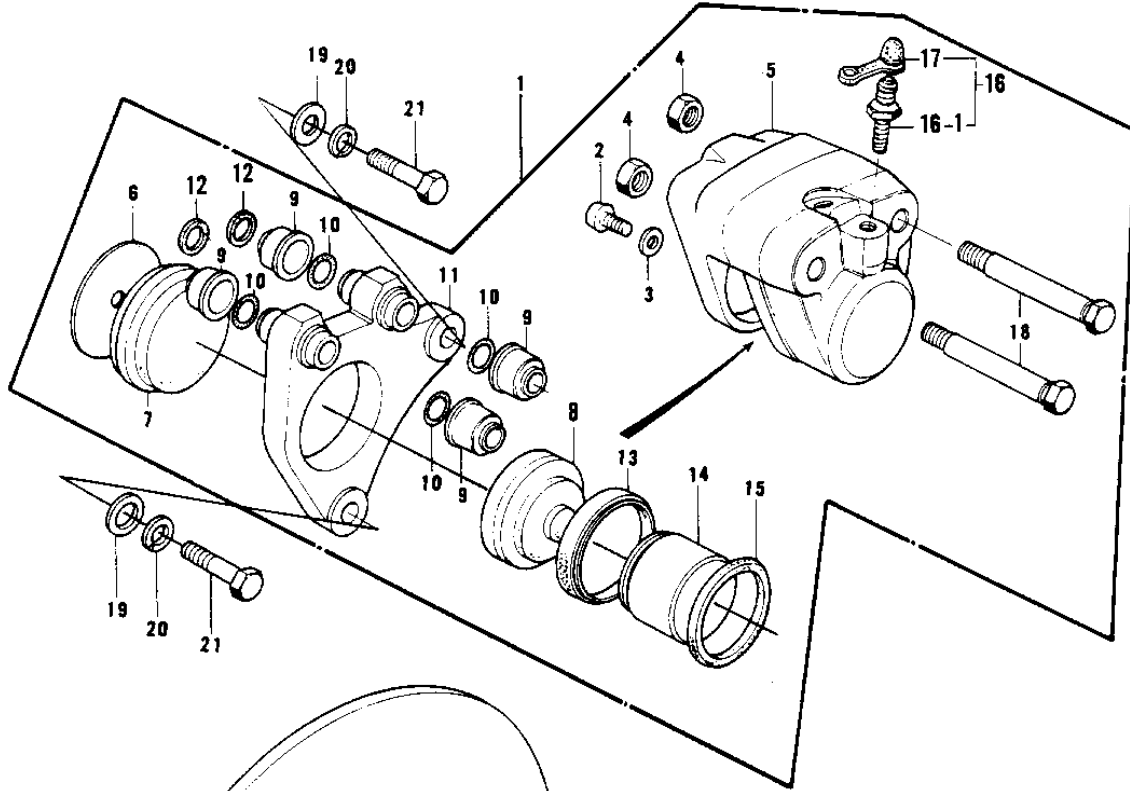


1977 KH400-A4 PARTS DIAGRAM

FRONT BRAKE



Ref. 14 & 7,8

Remove these to use PAD SET 43050-5001.

43048-006

17

100

1977 KH400-A4 PARTS LIST

FRONT BRAKE

| ITEM NAME | PART NUMBER | QUANTITY |
|----------------------------------|-------------|----------|
| CALIPER ASSY,FRONT (Ref # 1) | 43041-030 | |
| CALIPER ASSY,FRONT (Ref # 1) | 43041-030 | |
| SCREW PAN HEAD 6X12 (Ref # 2) | 220B0612 | |
| WASHER SPRING 6MM (Ref # 3) | 461F0600 | |
| NUT 10MM (Ref # 4) | 315B1000 | |
| CALIPER (Ref # 5) | 43042-008 | |
| SPACER (Ref # 6) | 43040-004 | |
| PAD B (Ref # 7) | 43051-008 | |
| PAD B (Ref # 7) | 43051-011 | |
| PAD A (Ref # 8) | 43050-007 | |
| PAD A (Ref # 8) | 43050-011 | |
| PAD SET,(FRONT) (Ref # 7,8) | 43050-5001 | |
| DUST SHILD,SHAFT (Ref # 9) | 43052-005 | |
| "0" RING (Ref # 10) | 43053-006 | |
| HOLDER,CALIPER (Ref # 11) | 43044-008 | |
| PLUG (Ref # 12) | 43088-002 | |
| DUST SEALD,RUBBER (Ref # 13) | 43054-003 | |
| PISTON,CALIPER (Ref # 14) | 43048-006 | |
| PISTON,FRONT CALIPER (Ref # 14) | 43048-009 | |
| RING,PISTON SEAL (Ref # 15) | 43049-002 | |
| BLEEDER SET (Ref # 16) | 43085-001 | |
| BREEDER (Ref # 16-1) | 43056-003 | |
| CAP,BREEDER (Ref # 17) | 43057-003 | |
| BOLT (Ref # 18) | 43045-006 | |
| WASHER PLAIN 10MM (Ref # 19) | 410B1000 | |
| WASHER SPRING 10MM (Ref # 20) | 461F1000 | |
| BOLT (Ref # 21) | 92007-032 | |
| DISC PLATE,FRONT BRAK (Ref # 22) | 41080-006 | |