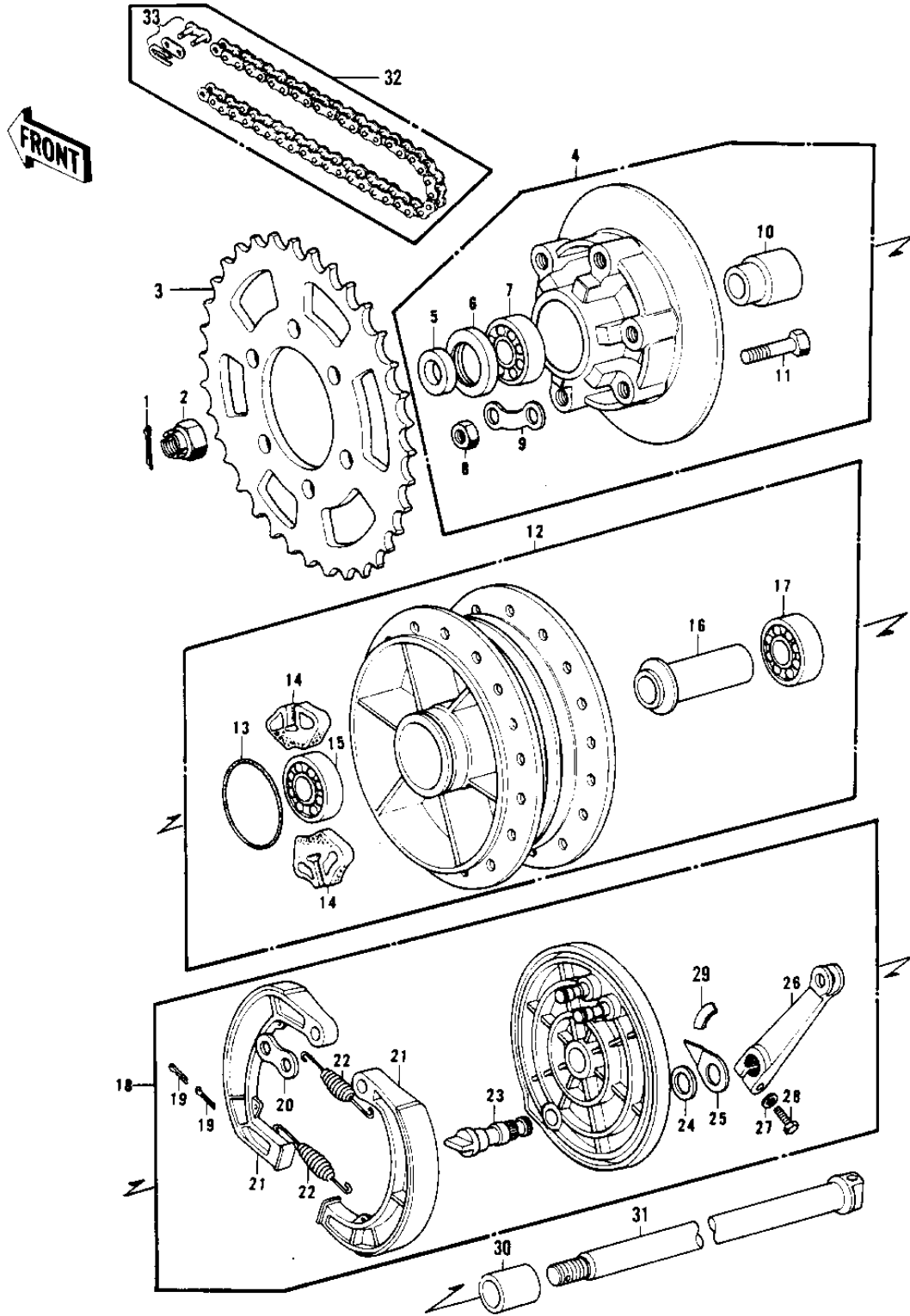


1975 Mach II PARTS DIAGRAM

REAR HUB/BRAKE/CHAIN



1975 Mach II PARTS LIST

REAR HUB/BRAKE/CHAIN

ITEM NAME	PART NUMBER	QUANTITY
PIN-COTTER,4.0X35 (Ref # 1)	550D4035	
NUT CASTLE,16MM (Ref # 2)	92015-055	
REAR SPROCKET,41T (Ref # 3)	42041-138	
REAR SPROCKET 38T (Ref # 3)	42041-063	
REAR SPROCKET 43T (Ref # 3)	42041-102	
COUPLING ASSY,RR BRK (Ref # 4)	42008-020	
COLLAR,REAR AXLE (Ref # 5)	42037-024	
OIL SEAL WTC35527 (Ref # 6)	92052-006	
BEARING BALL #6205 (Ref # 7)	601B6205	
NUT,10MM (Ref # 8)	314B1000	
WASHER SPROCKET LOCK (Ref # 9)	92088-005	
SLEEVE,REAR AXLE (Ref # 10)	42036-019	
BOLT-REAR SPROCKET (Ref # 11)	92003-087	
DRUM ASY,RR BK,BUFF (Ref # 12)	42005-044-80	
DRUM-ASSY,RR BRK (Ref # 12-1)	41034-5001	
"0" RING,60MM (Ref # 13)	671B2560	
DAMPER REAR HUB SHOCK (Ref # 14)	42014-008	
BEARING BALL #6303 (Ref # 15)	601B6303	
SPACER,RR HUB BEARING (Ref # 16)	42010-027	
SPACER RR HUB BEARING (Ref # 16)	42010-008	
BEARING BALL #6303Z (Ref # 17)	601B6303Z	
PANEL-ASY,RR BRK (Ref # 18)	42006-060-80	
PIN COTTER 2.0X25 (Ref # 19)	550D2025	
WASHER,BRAKE SHOE (Ref # 20)	41045-007	
SHOE REAR BRAKE (Ref # 21)	42019-003	
SPRING BRAKE SHOE (Ref # 22)	41049-003	
CAM SHAFT,REAR BRAKE (Ref # 23)	42026-015	
DUST SHIELD BRAKE CAM (Ref # 24)	41051-001	
INDICATOR,BRAKE PANEL (Ref # 25)	41085-009	

1975 Mach II PARTS LIST

REAR HUB/BRAKE/CHAIN

ITEM NAME	PART NUMBER	QUANTITY
LEVER,REAR BRAKE CAM (Ref # 26)	42029-037	
WASHER PLAIN 6MM (Ref # 27)	410B0600	
BOLT-UPSET (Ref # 28)	112G0625	
LABEL (Ref # 29)	41084-001	
COLLAR,REAR AXLE (Ref # 30)	42032-049	
AXLE,REAR (Ref # 31)	42031-047	
DR CHAIN 530X104E (Ref # 32)	92057-085	
CHAIN JOINT 530 (Ref # 33)	92058-008	