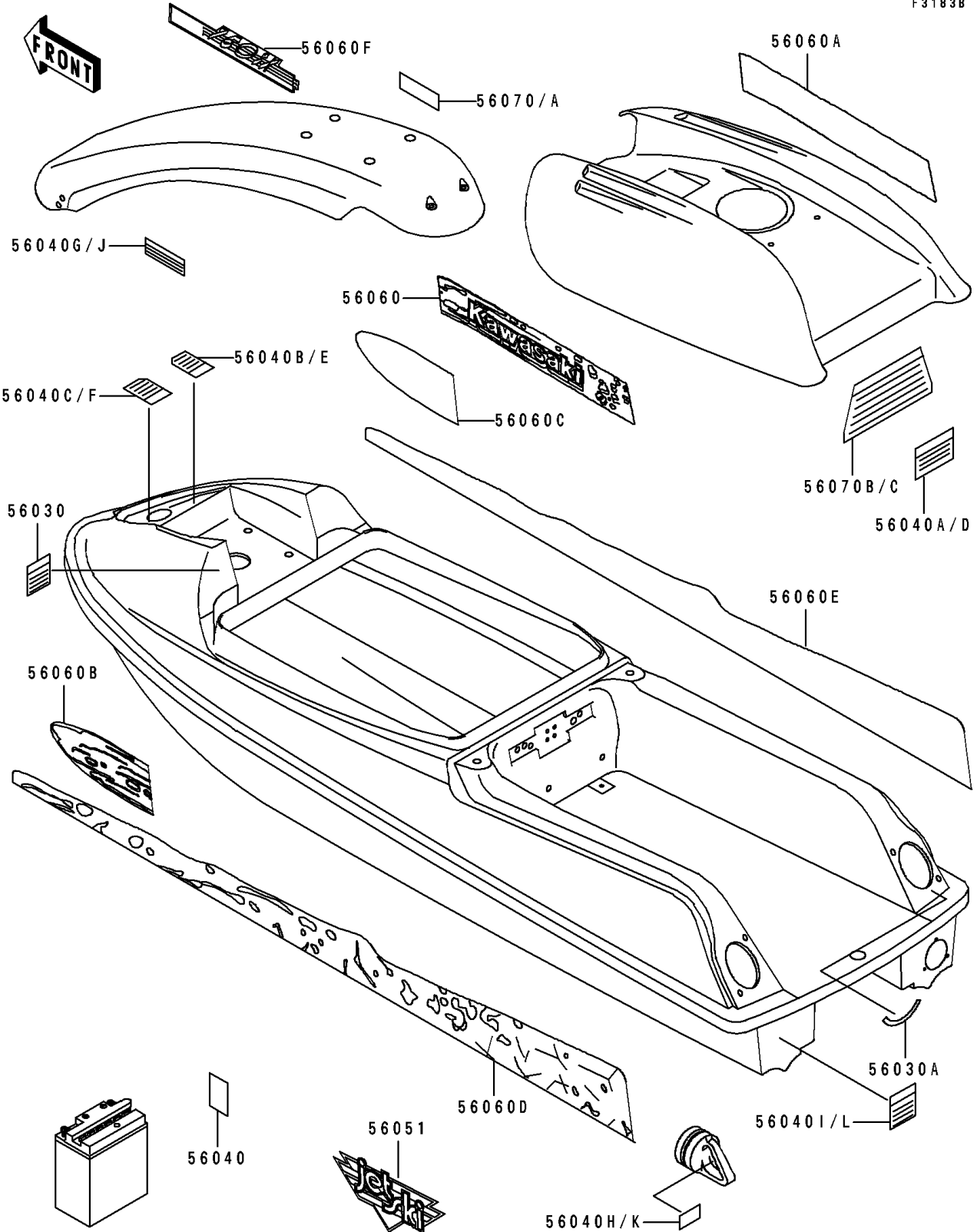


1994 750 SX PARTS DIAGRAM

Labels(JS750-A3/A4)

F3183B



1994 750 SX PARTS LIST

Labels(JS750-A3/A4)

ITEM NAME	PART NUMBER	QUANTITY
LABEL,OIL RECOMMENDED(FRENCH) (Ref # 56030)	56030-3765	1
LABEL,FIRE EXTINGUISHER (Ref # 56030A)	56030-3789	1
LABEL,BATTERY CAUTION(FRENCH) (Ref # 56040)	56040-1106	1
LABEL-WARNING,CAUTION SAFETY (Ref # 56040A)	56040-3933	1
LABEL-WARNING,FUEL SUPPLY (Ref # 56040B)	56040-3934	1
LABEL-WARNING,OIL CAUTION (Ref # 56040C)	56040-3935	1
LABEL-WARNING,CAUTION SAFETY (Ref # 56040D)	56040-3940	1
LABEL,FUEL SUPPLY(FRENCH) (Ref # 56040E)	56040-3941	1
LABEL-WARNING,OIL CAUTION (Ref # 56040F)	56040-3942	1
LABEL-WARNING,CAUTION SAFETY (Ref # 56040G)	56040-3944	1
LABEL-WARNING,CAUTION SAFETY (Ref # 56040H)	56040-3945	2
LABEL-WARNING,NOZZLE (Ref # 56040I)	56040-3946	1
LABEL-WARNING,CAUTION SAFETY (Ref # 56040J)	56040-3952	1
LABEL-WARNING,CAUTION SAFETY (Ref # 56040K)	56040-3953	2
LABEL,NOZZLE CHECK(FRENCH) (Ref # 56040L)	56040-3954	1
MARK,DECK,JET SKI (Ref # 56051)	56051-1029	2
PATTERN,ENGINE HOOD,LH (Ref # 56060)	56060-1713	1
PATTERN,ENGINE HOOD,RH (Ref # 56060A)	56060-1714	1
PATTERN,DECK,UPP,LH (Ref # 56060B)	56060-1715	1
PATTERN,DECK,UPP,RH (Ref # 56060C)	56060-1716	1
PATTERN,DECK,LWR,LH (Ref # 56060D)	56060-1717	1
PATTERN,DECK,LWR,RH (Ref # 56060E)	56060-1718	1
PATTERN,HANDLE POLE (Ref # 56060F)	56060-1719	1
LABEL-WARNING,CAUTION SAFETY (Ref # 56070)	56070-3723	1
LABEL,CAUTION SAFETY(FRENCH) (Ref # 56070A)	56070-3725	1
LABEL-WARNING,IMPORTANT SAFETY (Ref # 56070B)	56070-3740	1
LABEL,IMPORTANT SAFETY(FRENCH) (Ref # 56070C)	56070-3742	1