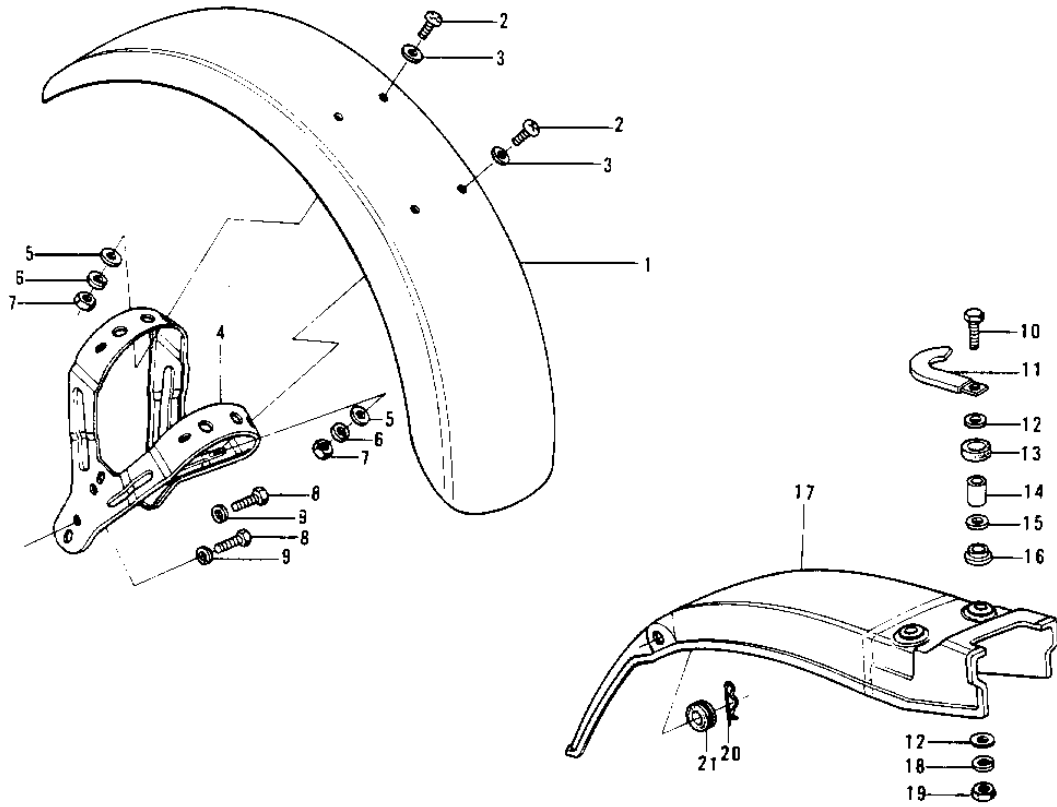


1974 Mach II PARTS DIAGRAM

FENDERS



1974 Mach II PARTS LIST

FENDERS

| ITEM NAME | PART NUMBER | QUANTITY |
|----------------------------------|-------------|----------|
| FENDER-FR (Ref # 1) | 35004-084 | 1 |
| SCREW PAN HEAD 6X14 (Ref # 2) | 220E0614 | 4 |
| WASHER-PLAIN,6MM (Ref # 3) | 411D0600 | 4 |
| BRACE,FRONT FENDER (Ref # 4) | 35009-028 | 1 |
| WASHER PLAIN 6MM (Ref # 5) | 411B0600 | 4 |
| WASHER SPRING 6MM (Ref # 6) | 461F0600 | 4 |
| NUT 6MM (Ref # 7) | 311B0600 | 4 |
| NUT 6MM (Ref # 7) | 311B0600 | AL |
| BOLT-SMALL-UPSET,8X16 (Ref # 8) | 115G0816 | 4 |
| BOLT-SMALL-UPSET,8X16 (Ref # 8) | 115G0816 | AL |
| WASHER SPRING 8MM (Ref # 9) | 461F0800 | 4 |
| BOLT 6X35 (Ref # 10) | 110R0635 | 2 |
| BOLT 6X35 (Ref # 10) | 110R0635 | AL |
| CLAMP,HARNESS (Ref # 11) | 92037-113 | 2 |
| WASHER,PLAIN,7MM (Ref # 12) | 92022-228 | 4 |
| DAMPER RUBBER,RR FEND (Ref # 13) | 92075-121 | 2 |
| COLLAR,REAR FENDER (Ref # 14) | 92027-162 | 2 |
| COLLAR (Ref # 14) | 92027-241 | 2 |
| WASHER,PLAIN,7MM (Ref # 15) | 92022-227 | 2 |
| DAMPER RUBBER,RR FEND (Ref # 16) | 92075-133 | 2 |
| FENDER-RR (Ref # 17) | 35022-099 | 1 |
| WASHER SPRING 6MM (Ref # 18) | 461F0600 | 2 |
| NUT 6MM (Ref # 19) | 311B0600 | 2 |
| NUT 6MM (Ref # 19) | 311B0600 | AL |
| COTTER PIN (Ref # 20) | 92041-003 | 2 |
| DAMPER RUBBER (Ref # 21) | 92075-105 | 2 |