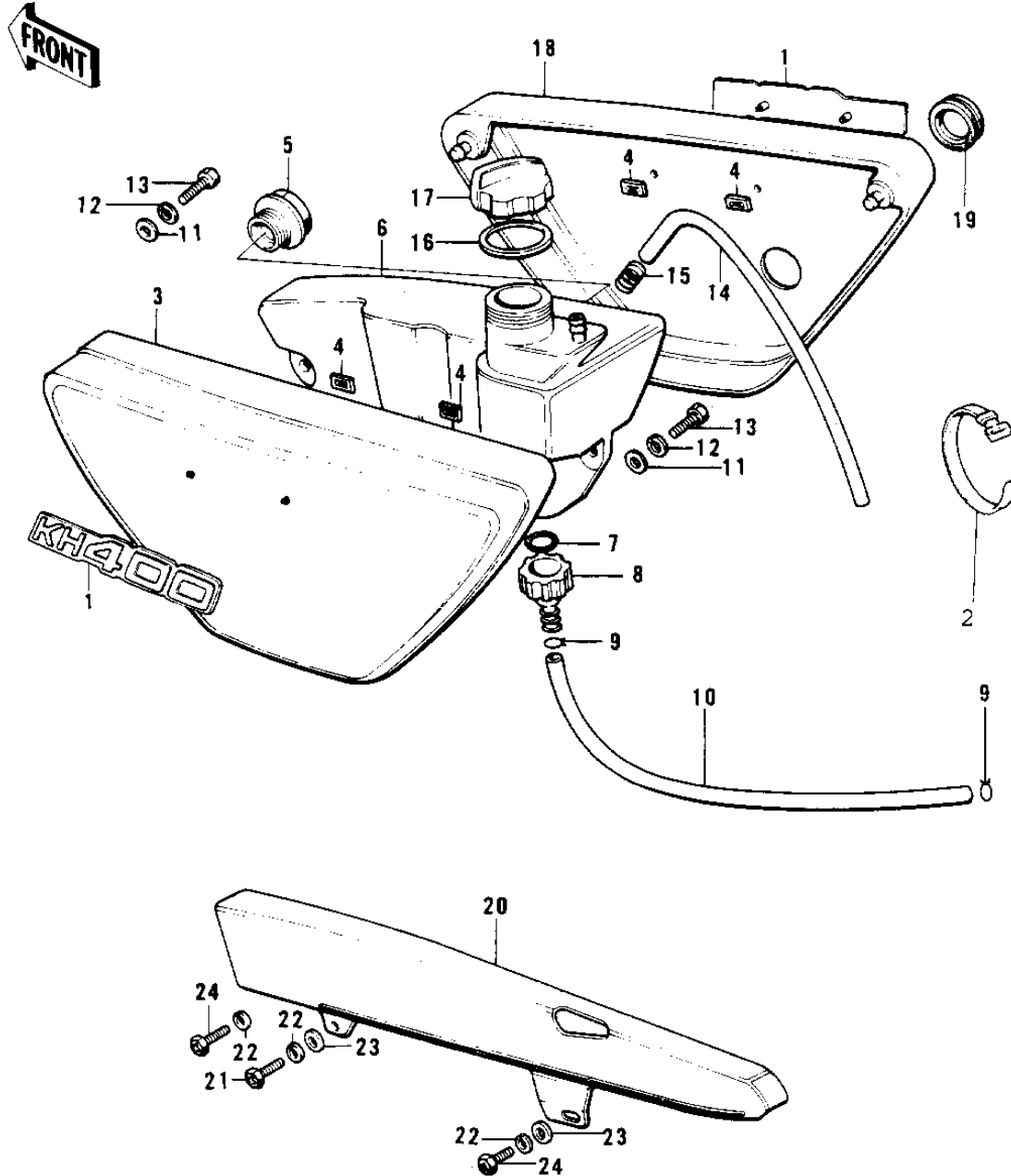


1974 Mach II PARTS DIAGRAM

SIDE COVERS/OIL TANK/CHAIN COVER



1974 Mach II PARTS LIST

SIDE COVERS/OIL TANK/CHAIN COVER

ITEM NAME	PART NUMBER	QUANTITY
EMBLEM,SIDE COVER (Ref # 1)	56018-212	2
BAND,MIDDLE (Ref # 2)	92072-031	1
COVER,L.H SIDE,D.GREN (Ref # 3)	36001-043-3V	1
COVER,L.H SIDE,ORANGE (Ref # 3)	36001-043-3W	1
COVER,L.H.SIDE,C.E.GR (Ref # 3)	36001-043-4U	1
COVER,L.H.SIDE C.L.G. (Ref # 3)	36001-043-3X	1
COVER,L.H,SIDE,C.P.R. (Ref # 3)	36001-043-A5	1
NUT,LOCK,3MM (Ref # 4)	92018-005	4
GAUGE-OIL LEVEL (Ref # 5)	52015-005	1
TANK,OIL (Ref # 6)	52001-040	1
"O" RING,15MM (Ref # 7)	670B2015	1
FILTER-OIL (Ref # 8)	52020-001	1
CLAMP FUEL PIPE (Ref # 9)	92037-010	2
PIPE-OIL (Ref # 10)	92059-072	1
WASHER PLAIN 6MM (Ref # 11)	411B0600	3
WASHER SPRING 6MM (Ref # 12)	461F0600	3
BOLT-UPSET 6X14 (Ref # 13)	112B0614	3
TUBE-VINYL 5X720 (Ref # 14)	700Q05720	1
CLAMP,OIL TANK BREATR (Ref # 15)	92037-141	1
GASKET-OIL TANK CAP (Ref # 16)	92065-085	1
CAP-OIL TANK (Ref # 17)	52003-019	1
COVER,RH SIDE,D.GREEN (Ref # 18)	36007-037-3V	1
COVER,RH SIDE,ORANGE (Ref # 18)	36007-037-3W	1
COVER,RH SIDE,C.E.GRN (Ref # 18)	36007-037-4U	1
COVER,RH SIDE,C.L.GRN (Ref # 18)	36007-037-3X	1
COVER,RH SIDE,C.P.RED (Ref # 18)	36007-037-A5	1
GROMMET-R.H SIDE COV (Ref # 19)	92071-065	1
CASE-CHAIN,FR BLACK (Ref # 20)	36014-050-21	1
BOLT,HEX HEAD,6MM (Ref # 21)	92001-137	1

1974 Mach II PARTS LIST

SIDE COVERS/OIL TANK/CHAIN COVER

ITEM NAME	PART NUMBER	QUANTITY
WASHER SPRING 6MM (Ref # 22)	461F0600	3
WASHER-PLAIN (Ref # 23)	92022-193	2
BOLT,HEX HEAD,6X14 (Ref # 24)	92001-121	2