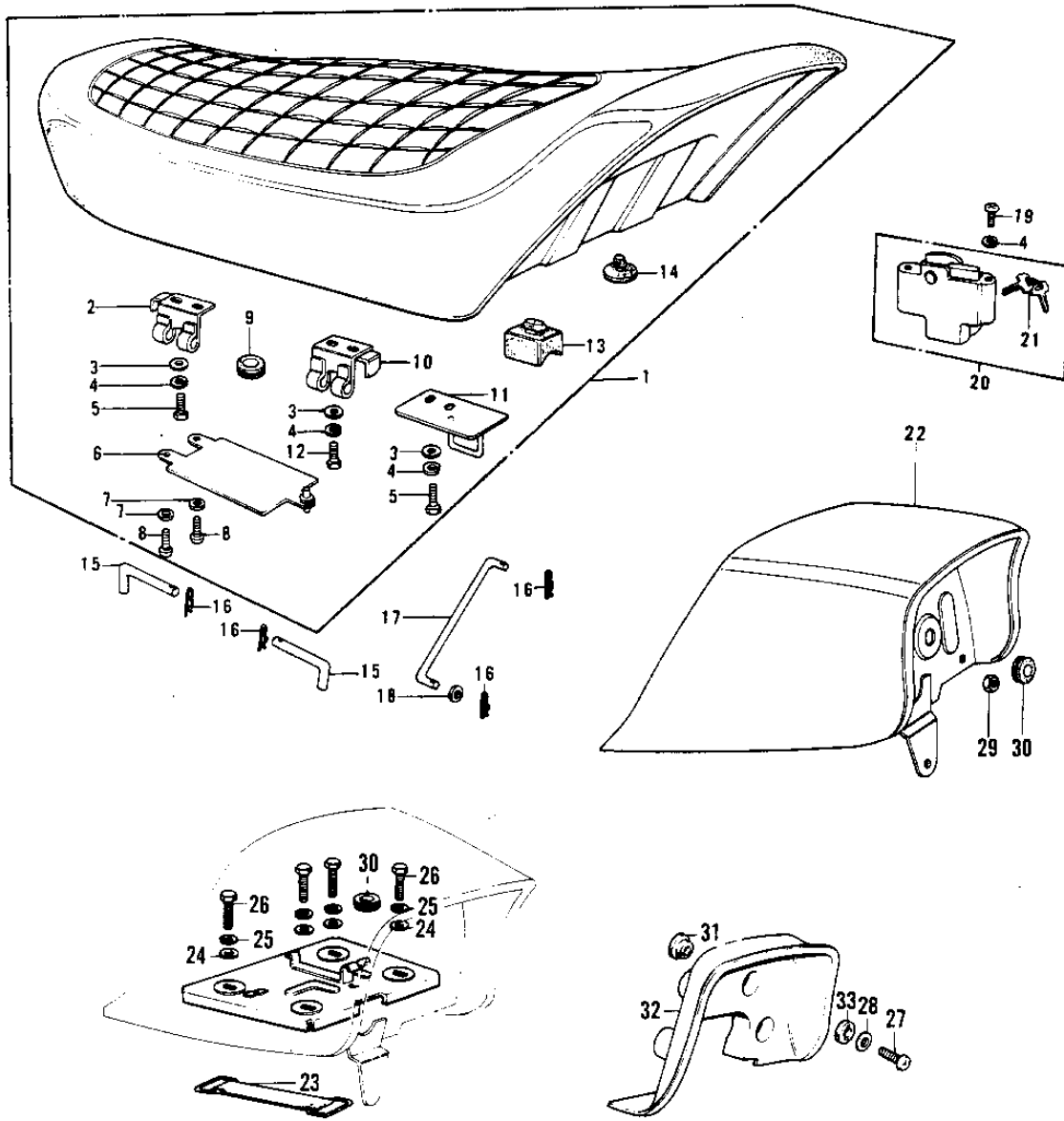


# 1974 Mach II PARTS DIAGRAM

## SEAT/SEAT COVER



# 1974 Mach II PARTS LIST

## SEAT/SEAT COVER

ITEM NAME	PART NUMBER	QUANTITY
SEAT-ASSY,DUAL (Ref # 1)	53001-117	1
HINGE,FRONT (Ref # 2)	53009-031	1
WASHER PLAIN 6MM (Ref # 3)	410B0600	6
WASHER SPRING 6MM (Ref # 4)	461F0600	8
BOLT-UPSET 6X14 (Ref # 5)	112B0614	4
BOLT-UPSET 6X14 (Ref # 5)	112B0614	AL
CASE (Ref # 6)	32099-011	1
WASHER PLAIN 4MM (Ref # 7)	410B0400	2
SCREW PAN HEAD 4X10 (Ref # 8)	220B0410	2
GROMMET (Ref # 9)	92071-056	1
HINGE,REAR (Ref # 10)	53009-030	1
HOOK,SEAT (Ref # 11)	53008-024	1
BOLT-UPSET,6X16 (Ref # 12)	112G0616	2
BOLT-UPSET,6X16 (Ref # 12)	112G0616	AL
DAMPER RUBBER-SEAT (Ref # 13)	92075-156	4
DAMPER RUBBER (Ref # 14)	92075-099	1
PIN,DUAL SEAT PIVOT (Ref # 15)	53011-008	2
COTTER PIN (Ref # 16)	92041-003	4
STAND,SEAT (Ref # 17)	53054-002	1
WASHER PLAIN 6MM (Ref # 18)	410B0600	1
SCREW PAN HEAD 6X14 (Ref # 19)	220B0614	2
LOCK ASSY,SEAT (Ref # 20)	53045-013	1
KEY SET,#901 (Ref # 21)	27008-055-01	AR
KEY SET,#910 (Ref # 21)	27008-055-10	AR
BACK REST,D.GREEN (Ref # 22)	53043-008-3V	1
BACK REST,ORANGE (Ref # 22)	53043-008-3W	1
BACK REST,C.E.GREEN (Ref # 22)	53043-008-4U	1
COVER,SEAT,C.L.GREEN (Ref # 22)	53043-008-3X	1
UNAVAILABLE IN PRICE BOOK (Ref # 22)	53043-008-AS	1

# 1974 Mach II PARTS LIST

## SEAT/SEAT COVER

ITEM NAME	PART NUMBER	QUANTITY
BAND TOOL (Ref # 23)	92072-012	1
WASHER PLAIN 8MM (Ref # 24)	411B0800	4
WASHER SPRING 8MM (Ref # 25)	461F0800	4
BOLT-SMALL-UPSET,8X18 (Ref # 26)	115G0818	4
BOLT-SMALL-UPSET,8X18 (Ref # 26)	115G0818	AL
SCREW PAN HEAD 6X28 (Ref # 27)	220B0628	4
WASHER-PLAIN,7MM (Ref # 28)	92022-240	4
NUT 6MM (Ref # 29)	311B0600	4
GROMMET (Ref # 30)	92071-059	2
DAMPER RUBBER (Ref # 31)	92075-169	4
COVER,BACKREST (Ref # 32)	53057-004	1
DAMPER RUBBER (Ref # 33)	92075-168	4