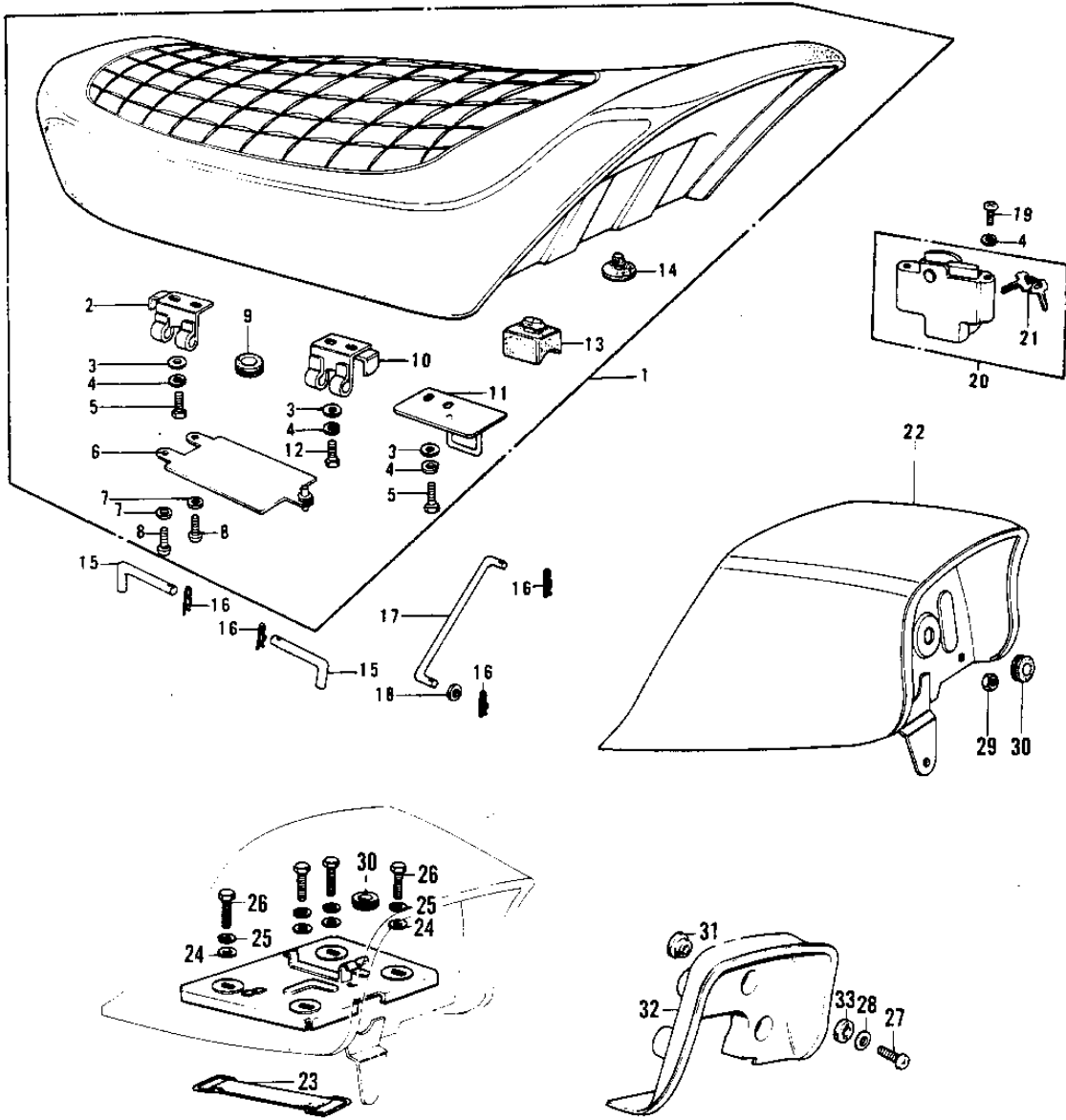


1975 Mach II PARTS DIAGRAM

SEAT/SEAT COVER



1975 Mach II PARTS LIST

SEAT/SEAT COVER

| ITEM NAME | PART NUMBER | QUANTITY |
|--------------------------------------|--------------|----------|
| SEAT-ASSY,DUAL (Ref # 1) | 53001-117 | |
| HINGE,FRONT (Ref # 2) | 53009-031 | |
| WASHER PLAIN 6MM (Ref # 3) | 410B0600 | |
| WASHER SPRING 6MM (Ref # 4) | 461F0600 | |
| BOLT-UPSET 6X14 (Ref # 5) | 112B0614 | |
| BOLT-UPSET 6X14 (Ref # 5) | 112B0614 | |
| CASE (Ref # 6) | 32099-011 | |
| WASHER PLAIN 4MM (Ref # 7) | 410B0400 | |
| SCREW PAN HEAD 4X10 (Ref # 8) | 220B0410 | |
| GROMMET (Ref # 9) | 92071-056 | |
| HINGE,REAR (Ref # 10) | 53009-030 | |
| HOOK,SEAT (Ref # 11) | 53008-024 | |
| BOLT-UPSET,6X16 (Ref # 12) | 112G0616 | |
| BOLT-UPSET,6X16 (Ref # 12) | 112G0616 | |
| DAMPER RUBBER-SEAT (Ref # 13) | 92075-156 | |
| DAMPER RUBBER (Ref # 14) | 92075-099 | |
| PIN,DUAL SEAT PIVOT (Ref # 15) | 53011-008 | |
| COTTER PIN (Ref # 16) | 92041-003 | |
| STAND,SEAT (Ref # 17) | 53054-002 | |
| WASHER PLAIN 6MM (Ref # 18) | 410B0600 | |
| SCREW PAN HEAD 6X14 (Ref # 19) | 220B0614 | |
| LOCK ASSY,SEAT (Ref # 20) | 53045-013 | |
| KEY SET,#901 (Ref # 21) | 27008-055-01 | |
| KEY SET,#910 (Ref # 21) | 27008-055-10 | |
| BACK REST,D.GREEN (Ref # 22) | 53043-008-3V | |
| BACK REST,ORANGE (Ref # 22) | 53043-008-3W | |
| BACK REST,C.E.GREEN (Ref # 22) | 53043-008-4U | |
| COVER,SEAT,C.L.GREEN (Ref # 22) | 53043-008-3X | |
| UNAVAILABLE IN PRICE BOOK (Ref # 22) | 53043-008-AS | |

1975 Mach II PARTS LIST

SEAT/SEAT COVER

| ITEM NAME | PART NUMBER | QUANTITY |
|----------------------------------|-------------|----------|
| BAND TOOL (Ref # 23) | 92072-012 | |
| WASHER PLAIN 8MM (Ref # 24) | 411B0800 | |
| WASHER SPRING 8MM (Ref # 25) | 461F0800 | |
| BOLT-SMALL-UPSET,8X18 (Ref # 26) | 115G0818 | |
| BOLT-SMALL-UPSET,8X18 (Ref # 26) | 115G0818 | |
| SCREW PAN HEAD 6X28 (Ref # 27) | 220B0628 | |
| WASHER-PLAIN,7MM (Ref # 28) | 92022-240 | |
| NUT 6MM (Ref # 29) | 311B0600 | |
| GROMMET (Ref # 30) | 92071-059 | |
| DAMPER RUBBER (Ref # 31) | 92075-169 | |
| COVER,BACKREST (Ref # 32) | 53057-004 | |
| DAMPER RUBBER (Ref # 33) | 92075-168 | |