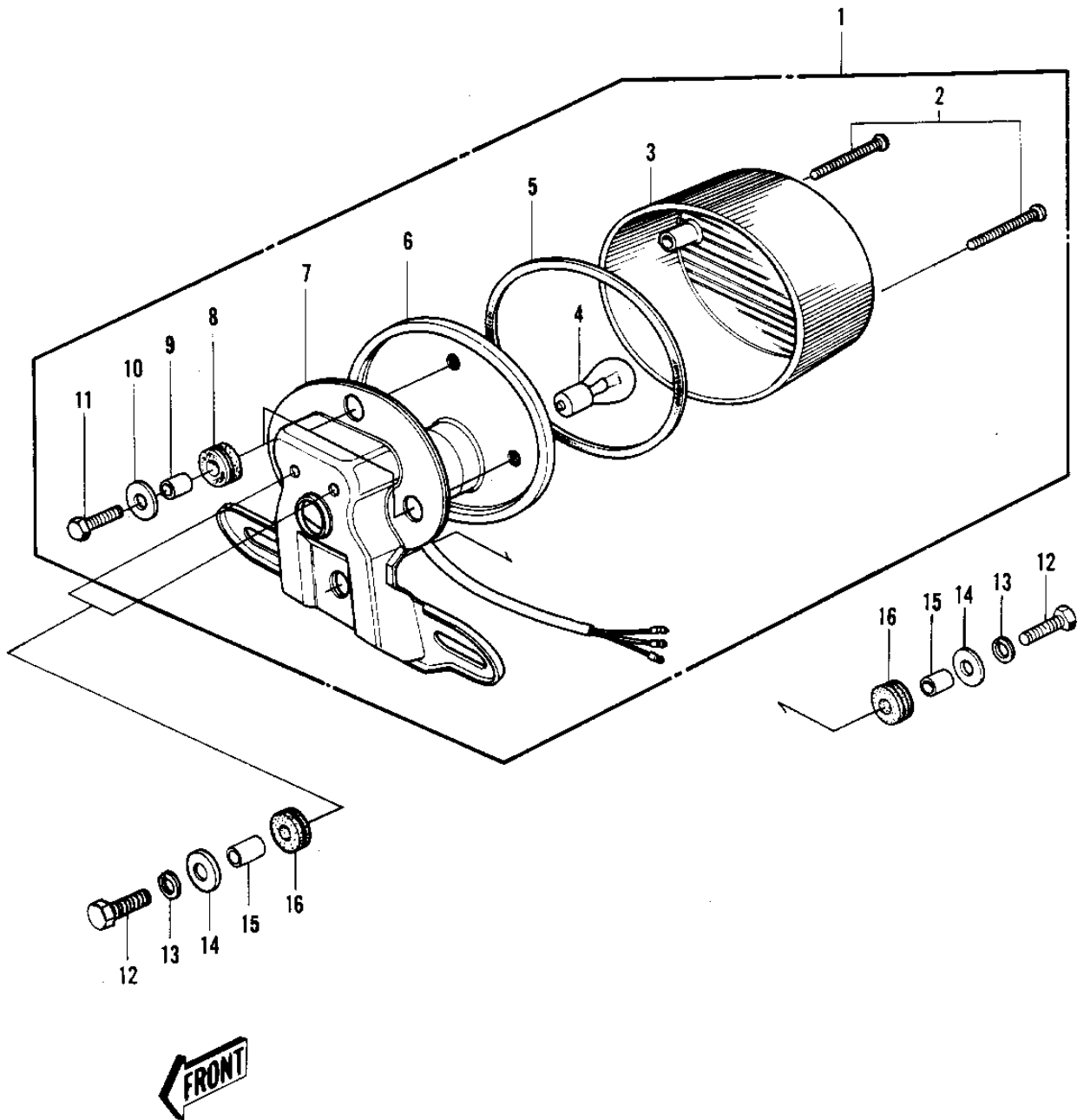


1974 Mach II PARTS DIAGRAM

TAILLIGHT



1974 Mach II PARTS LIST

TAILLIGHT

ITEM NAME	PART NUMBER	QUANTITY
LAMP ASSY-TAIL,BLACK (Ref # 1)	23024-026-21	1
SCREW-PAN HEAD,4X35 (Ref # 2)	220E0435A	2
LENS-TAIL LAMP (Ref # 3)	23026-023	1
BULB,12V 23/8W (Ref # 4)	92069-060	1
GASKET-TAIL LAMP LENS (Ref # 5)	23028-018	1
CASE,TAIL LAMP (Ref # 6)	23027-030	1
BKT-LICENSE PLT,BLACK (Ref # 7)	23036-022-21	1
DAMPER RUBBER (Ref # 8)	92075-076	3
COLLAR,6.8X10X8.5 (Ref # 9)	92027-129	3
WASHER 6.5X20X1.6T (Ref # 10)	92022-125	3
BOLT 6X22 (Ref # 11)	112B0622	3
BOLT 6X22 (Ref # 12)	112B0622	3
WASHER SPRING 6MM (Ref # 13)	461F0600	3
WASHER 6.5X20X1.6T (Ref # 14)	92022-125	3
COLLAR 6.8X10X10.5 (Ref # 15)	92027-120	3
DAMPER RUBBER (Ref # 16)	92075-112	3