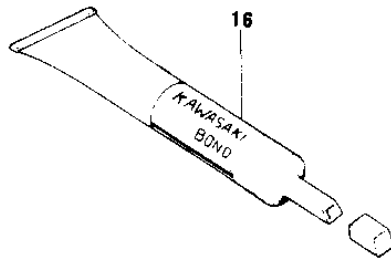
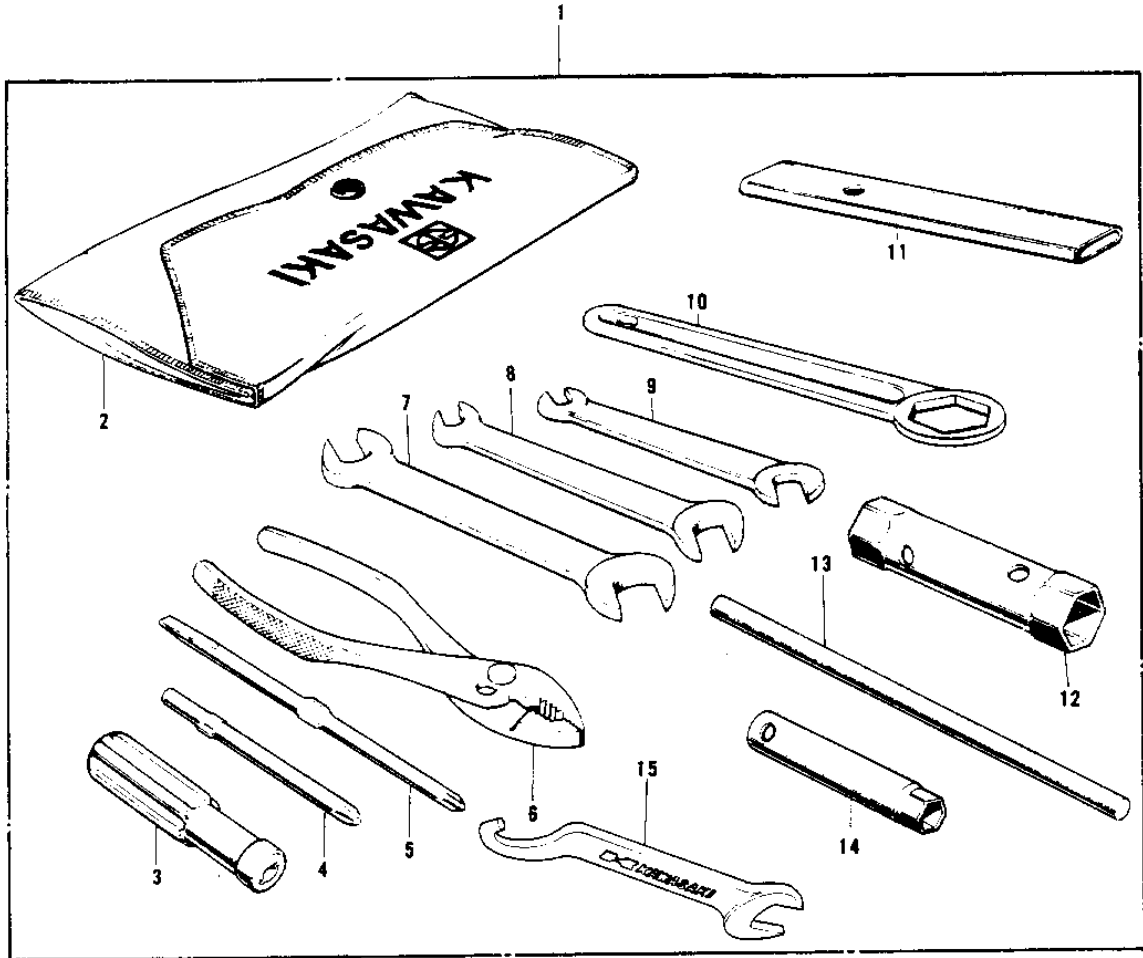


1974 Mach II PARTS DIAGRAM

OWNER TOOLS



1974 Mach II PARTS LIST

OWNER TOOLS

ITEM NAME	PART NUMBER	QUANTITY
-----------	-------------	----------