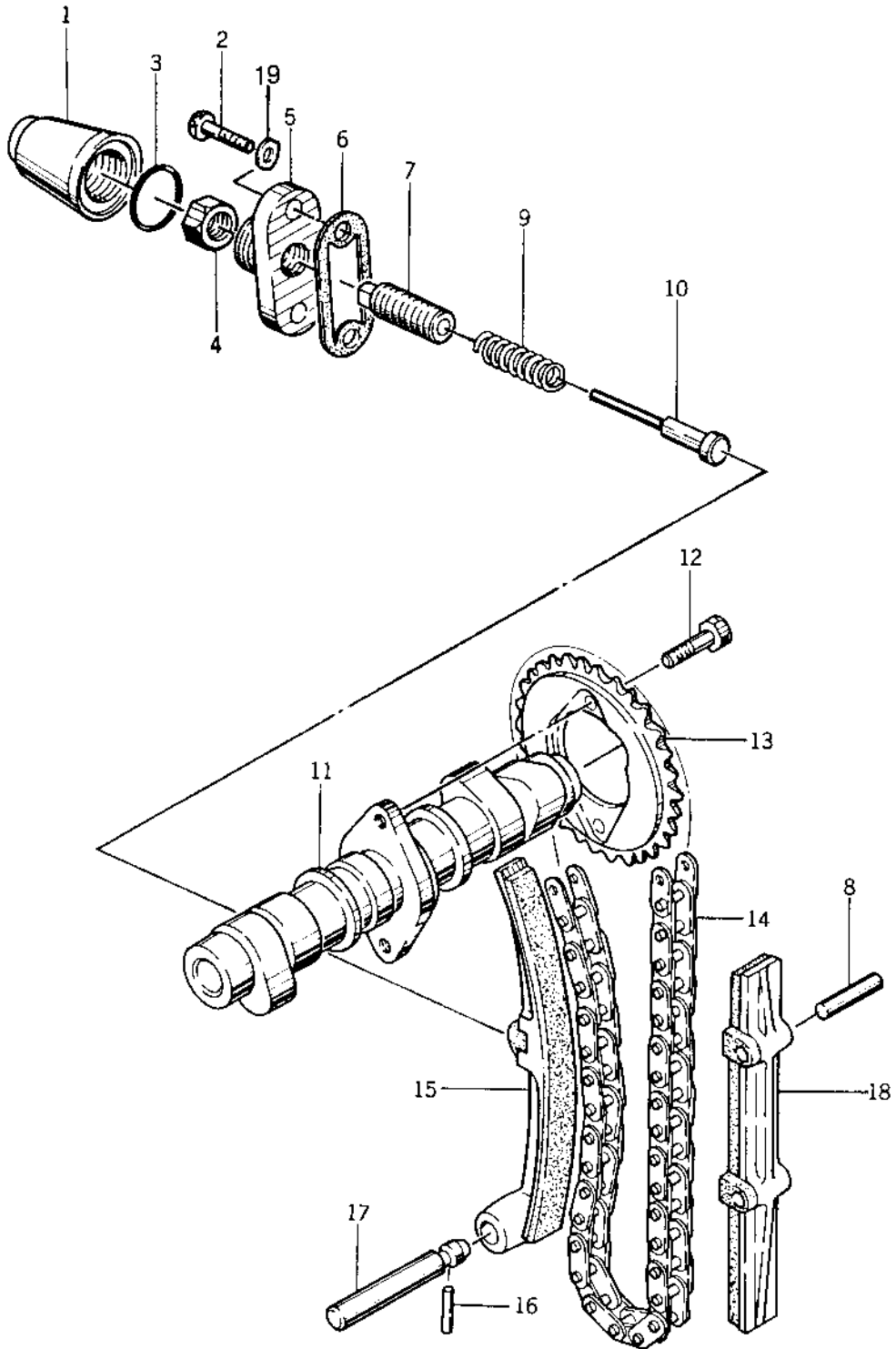


1978 KZ400-A2 PARTS DIAGRAM

CAMSHAFT/CHAIN/TENSIONER



1978 KZ400-A2 PARTS LIST

CAMSHAFT/CHAIN/TENSIONER

ITEM NAME	PART NUMBER	QUANTITY
CAP, CHAIN TENSIONER (Ref # 1)	12064-004	
BOLT-HEX HEAD,6X16 (Ref # 2)	92001-114	
"O" RING (Ref # 3)	92055-104	
NUT,LOCK (Ref # 4)	92016-054	
HOLDER,CAM CHIN TENS (Ref # 5)	12047-004	
GASKET,CHAIN TENSIONR (Ref # 6)	11009-1022	
GUIDE,PUSH ROD (Ref # 7)	92001-1271	
GUIDE,PUSH ROD (Ref # 7)	92001-1271	
PIN,DOWEL,5X32 (Ref # 8)	551A0532	
SPRING,CHAIN TENSINR (Ref # 9)	92081-131	
ROD,PUSH (Ref # 10)	12054-002	
SHAFT,CAM (Ref # 11)	12044-009	
BOLT,SPROCKET FITTING (Ref # 12)	92003-208	
BOLT,SPROCKET FITTING (Ref # 12)	92003-208	
SPROCKET,CAM (Ref # 13)	12046-004	
CHAIN CAM (Ref # 14)	21070-004	
GUIDE,CAM CHAIN (Ref # 15)	12053-002	
PIN,DOWEL,4X25 (Ref # 16)	551A0425	
SHAFT,CHAIN GUIDE (Ref # 17)	12065-001	
GUIDE,CHAIN,REAR (Ref # 18)	12053-1042	
WASHER PLAIN 6MM (Ref # 19)	410B0600	