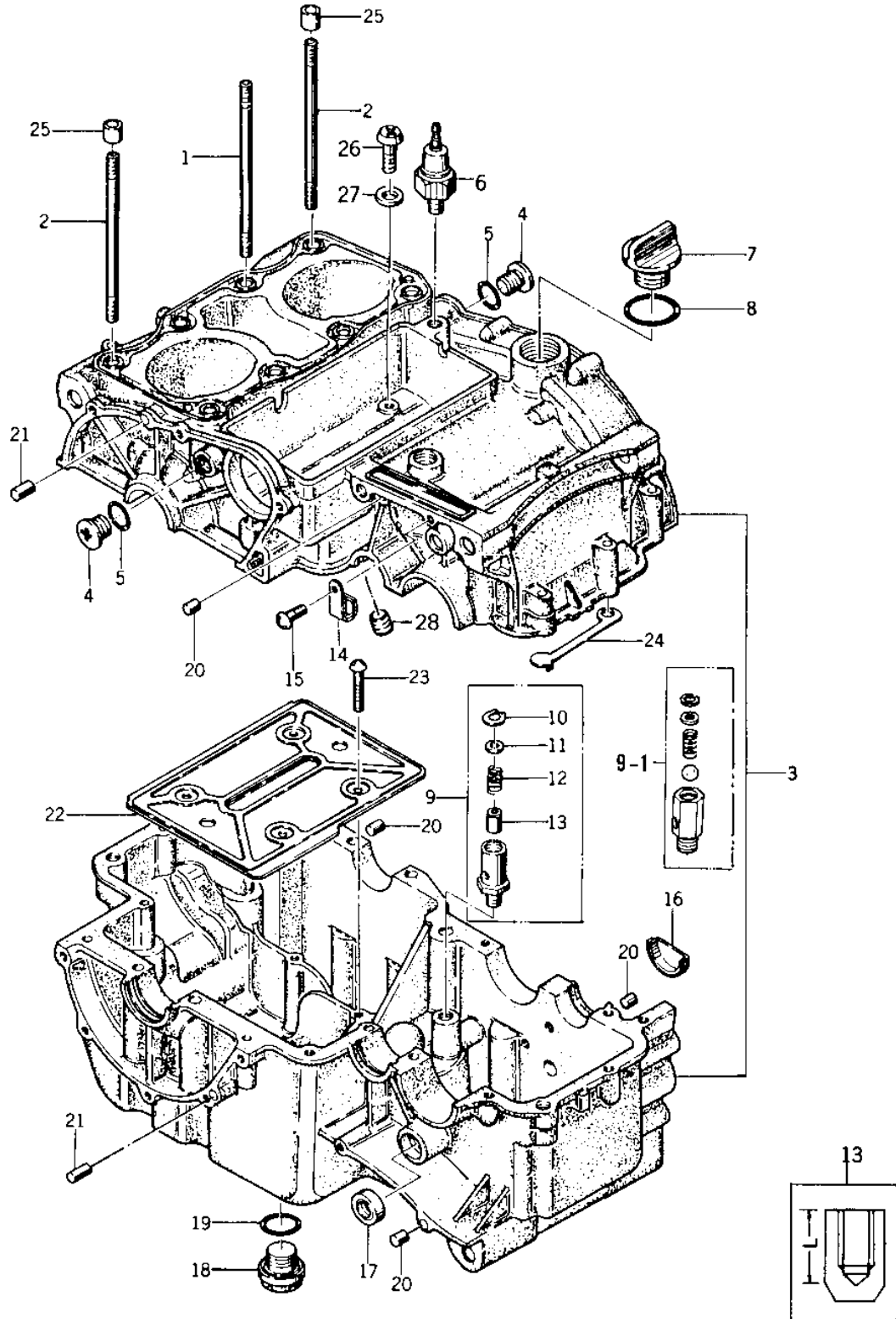


1978 KZ400-A2 PARTS DIAGRAM

CRANKCASE



1978 KZ400-A2 PARTS LIST

CRANKCASE

ITEM NAME	PART NUMBER	QUANTITY
.STUD,8X201 (Ref # 1)	92004-052	
.STUD,8X210 (Ref # 2)	92004-053	
CRANKCASE SET (Ref # 3)	14001-102	
CRANKCASE SET (Ref # 3)	14001-102	
.PLUG (Ref # 4)	92066-067	
PLUG (Ref # 4)	92066-067	
."O" RING,13.5MM (Ref # 5)	92055-073	
SWITCH,OIL PRESSURE (Ref # 6)	27010-1157	
PLUG,OIL FILLER (Ref # 7)	16115-013	
"O" RING,31MM (Ref # 8)	92055-049	
RELEAF VALVE ASSY (Ref # 9)	16130-1001	
RELEAF VALVE ASSY (Ref # 9-1)	16130-1001	
CIRCLIP, 12MM (Ref # 10)	481J1200	
SPACER,RELEAF VALVE (Ref # 11)	92026-097	
SPRING,RELEAF VALVE (Ref # 12)	16133-003	
PISTON,RELEAF VALVE (Ref # 13)	16126-002	
CLAMP,WIRING HARNESS (Ref # 14)	21126-008	
CLAMP,WIRING HARNESS (Ref # 14)	21126-008	
SCREW PAN HEAD 6X12 (Ref # 15)	220B0612	
RECEIVER,OIL (Ref # 16)	14015-005	
OIL SEAL,TB13225.5 (Ref # 17)	92051-005	
.PLUG,OIL DRAIN,12X15 (Ref # 18)	92066-1174	
.GASKET,DRIN PLUG (Ref # 19)	92065-097	
.PIN-DOWEL (Ref # 20)	92042-007	
.PIN,DOWEL,6X12 (Ref # 21)	551A0612	
PLATE (Ref # 22)	14082-001	
.SCREW PAN HEAD 6X12 (Ref # 23)	220B0612	
CLAMP,OVERFLOW HOSE (Ref # 24)	92037-149	
.PIN,DOWEL,10X8.2X14 (Ref # 25)	92043-1037	