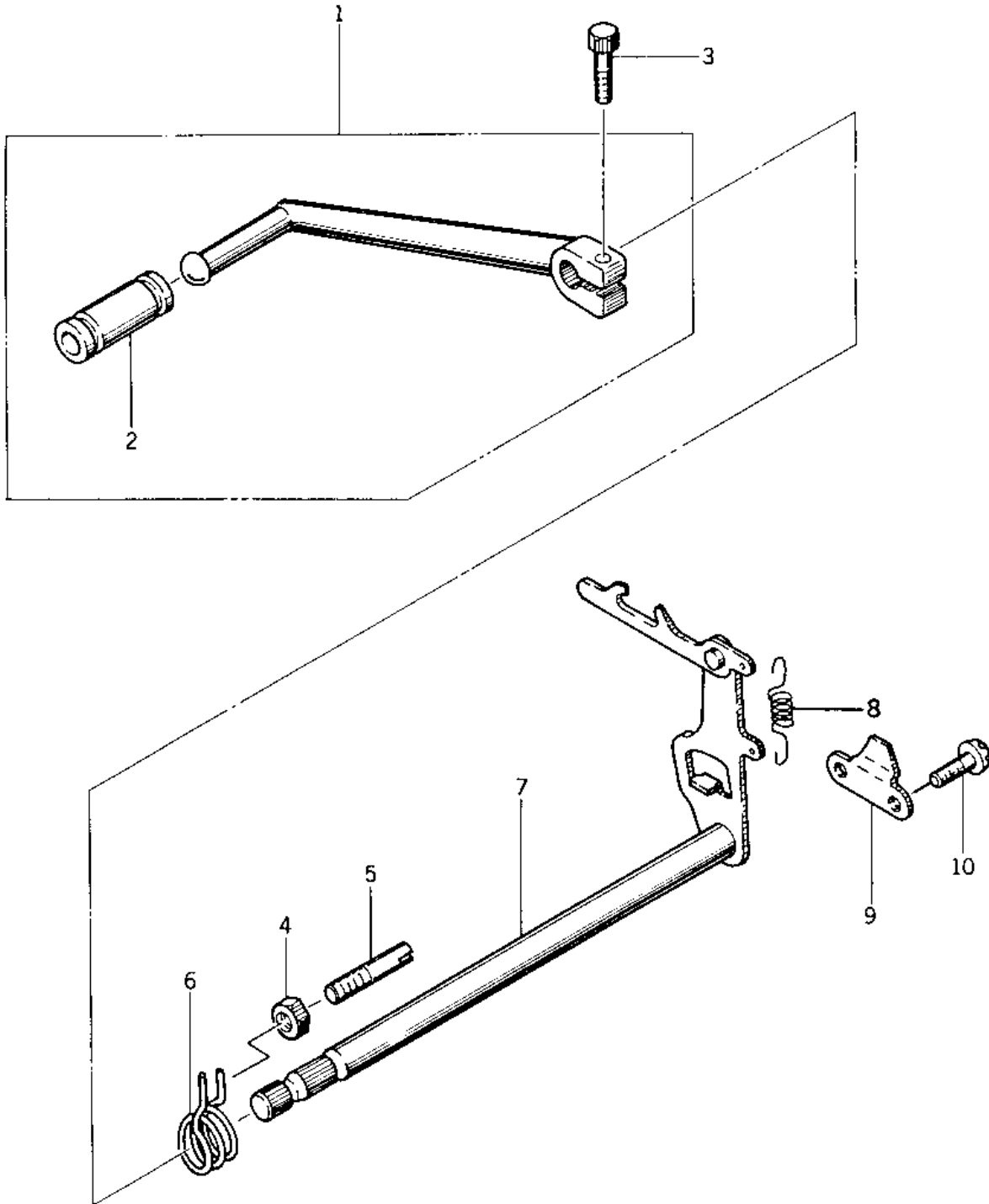


1978 KZ400-A2 PARTS DIAGRAM

GEAR CHANGE MECHANISM



1978 KZ400-A2 PARTS LIST

GEAR CHANGE MECHANISM

ITEM NAME	PART NUMBER	QUANTITY
PEDAL ASSY,GEAR SHIFT (Ref # 1)	13242-017	
PEDAL ASSY,GEAR SHIFT (Ref # 1)	13242-017	
RUBBER CHANGE PEDAL (Ref # 2)	13157-004	
BOLT-UPSET,6X20 (Ref # 3)	112G0620	
NUT 8MM (Ref # 4)	312B0800	
PIN CHANGE PEDAL SPRG (Ref # 5)	92043-057	
PIN CHANGE PEDAL SPRG (Ref # 5)	92043-057	
SPRING,CHG PEDL RTN (Ref # 6)	92083-021	
LEVER ASY,GEAR SHIFT (Ref # 7)	13161-034	
SPRING,CHANGE LEVER (Ref # 8)	92144-1720	
PLATE,GEAR SHIFT LEV (Ref # 9)	13169-011	
SCREW PAN HEAD 6X16 (Ref # 10)	220B0616	