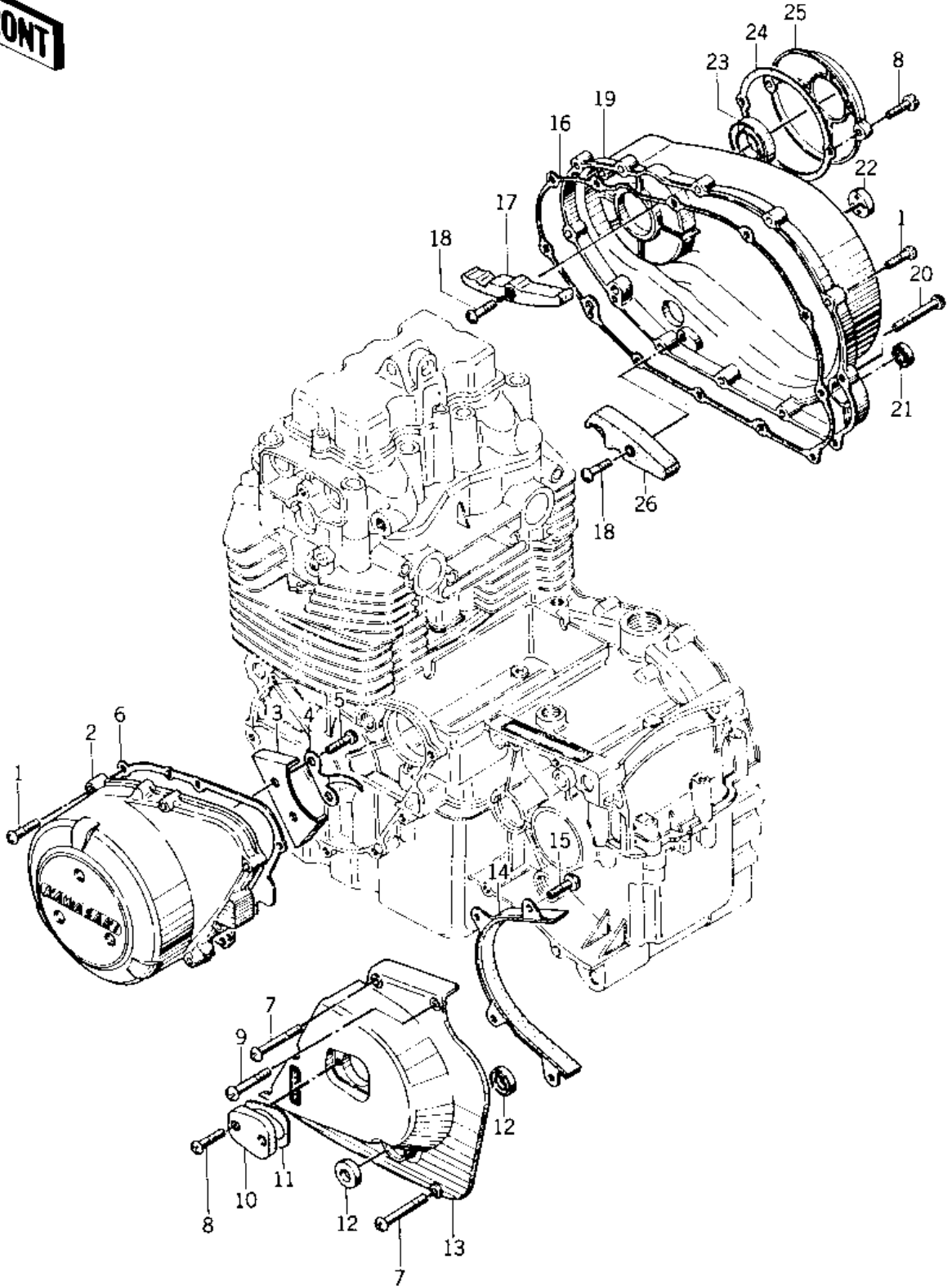


# 1978 KZ400-A2 PARTS DIAGRAM

## ENGINE COVERS



# 1978 KZ400-A2 PARTS LIST

## ENGINE COVERS

ITEM NAME	PART NUMBER	QUANTITY
SCREW PAN HEAD 6X30 (Ref # 1)	220B0630	
COVER,L.H,ENGINE (Ref # 2)	14031-1007-80	
COVER,L.H,ENGINE (Ref # 2)	14031-1007-80	
SLIPPER (Ref # 3)	12053-007	
PLATE L.H ENG COVER (Ref # 4)	21057-002	
SCREW PAN HEAD 5X8 (Ref # 5)	220B0508	
GASKET,L.H ENG COVER (Ref # 6)	14045-021	
SCREW PAN HEAD 6X50 (Ref # 7)	220B0650	
SCREW PAN HEAD 6X18 (Ref # 8)	220B0618	
SCREW PAN HEAD 6X35 (Ref # 9)	220B0635	
COVER,CLUTCH ADJUSTNG (Ref # 10)	14028-006-80	
GASKET,CLUTCH ADJ CAP (Ref # 11)	14049-004	
OIL SEAL,TB13225.5 (Ref # 12)	92051-005	
COVER,ENG SPROCKET (Ref # 13)	14026-029-80	
GUIDE,CHAIN (Ref # 14)	14077-004	
SCREW PAN HEAD 6X16 (Ref # 15)	220B0616	
SCREW PAN HEAD 6X12 (Ref # 15)	220B0612	
GASKET,R.H ENG COVER (Ref # 16)	14046-031	
GUIDE,PRIMARY CHAIN (Ref # 17)	12053-010	
SCREW PAN HEAD 6X25 (Ref # 18)	220B0625	
COVER,R.H ENG,BUFF (Ref # 19)	14032-106-80	
SCREW PAN HEAD 6X40 (Ref # 20)	220B0640	
OIL SEAL SB20285 (Ref # 21)	92049-012	
GAUGE,OIL LEVEL (Ref # 22)	52015-004	
OIL SEAL,R.H CRNKSFT (Ref # 23)	92050-065	
GASKET,BREAKER COVER (Ref # 24)	14050-010	
COVERBRK POINT,BUFF (Ref # 25)	14027-019-80	
GUIDE,PRIMARY CHAIN (Ref # 26)	12053-011	