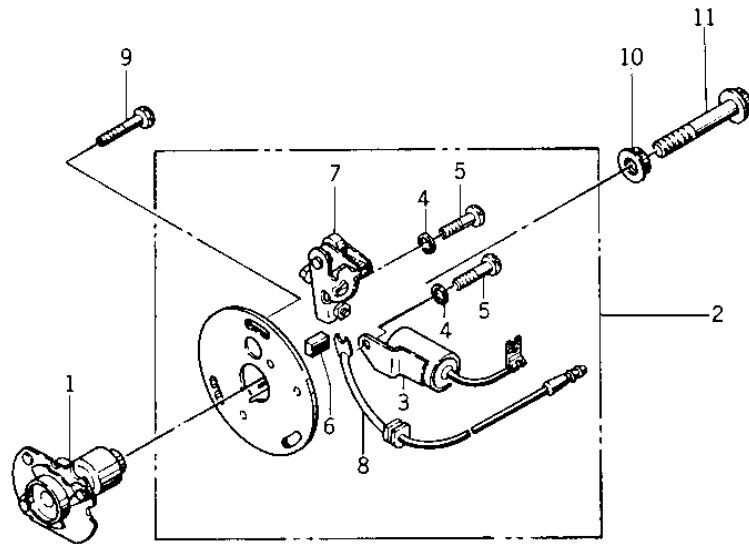
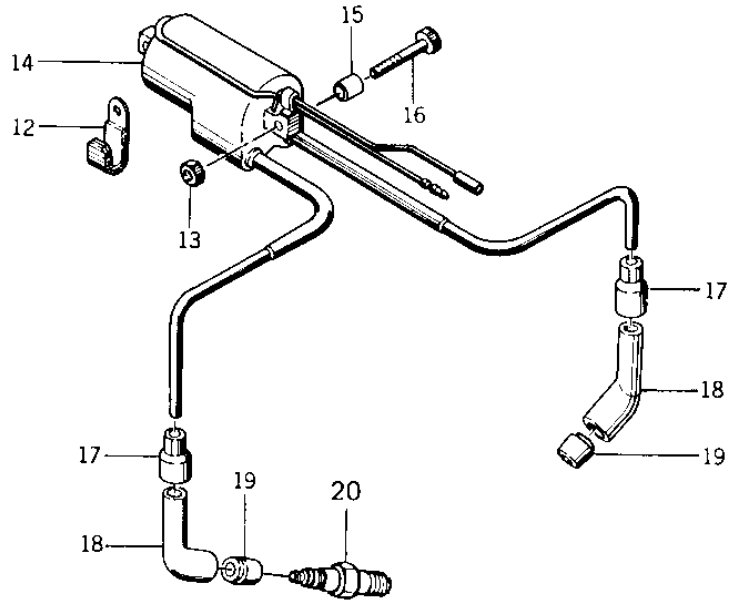


1977 KZ400-A1 PARTS DIAGRAM

IGNITION



1977 KZ400-A1 PARTS LIST

IGNITION

ITEM NAME	PART NUMBER	QUANTITY
ADVANCER ASSY TIMING (Ref # 1)	21148-006	1
ADVANCER,AUTOMATIC TI (Ref # 1)	21148-014	1
BREAKER ASSY CONTACT (Ref # 2)	21135-009	1
CONDENSER (Ref # 3)	21013-034	1
WASHER SPRING 4MM (Ref # 4)	461F0400	2
SCREW PAN HEAD 4X6 (Ref # 5)	220B0406	2
FELT OIL (Ref # 6)	21019-005	1
BREAKER,CONTACT (Ref # 7)	21008-025	1
WIRING HARNESS BRKR (Ref # 8)	21029-029	1
SCREW PAN HEAD 5X12 (Ref # 9)	220B0512	3
WASHER,SPARK ADVANCER (Ref # 10)	92022-244	1
BOLT-8X63 (Ref # 11)	92001-1397	1
BOLT-8X63 (Ref # 11)	92001-1397	1
CLAMP,WIRING HARNESS (Ref # 12)	21126-008	1
CLAMP,WIRING HARNESS (Ref # 12)	21126-008	1
NUT 6MM (Ref # 13)	311B0600	2
COIL-IGNITION (Ref # 14)	21121-1174	1
COIL-IGNITION (Ref # 14)	21121-1174	1
COLLAR,IGNITION COIL (Ref # 15)	92027-276	2
COLLAR,IGNITION COIL (Ref # 15)	92027-276	2
BOLT, IGNITION COIL (Ref # 16)	92003-170	2
GROMMET,SPARK PLG CAP (Ref # 17)	21132-005	2
CAP-SPARK PLUG,RTFM20 (Ref # 18)	21130-1007	2
GROMMET-PLUG CAP,A (Ref # 19)	21131-004	2
SPARK PLUG B8ES (Ref # 20)	B8ES	2
SPARK PLUG W24ES-U (Ref # 20)	W24ESU	2