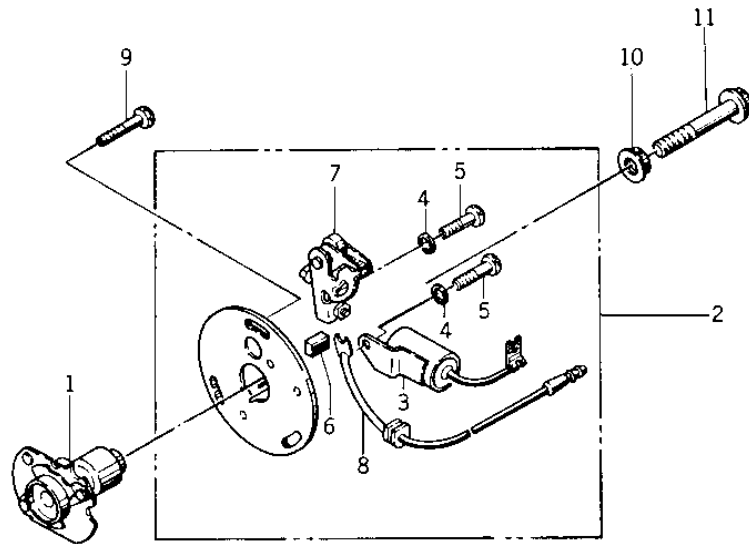
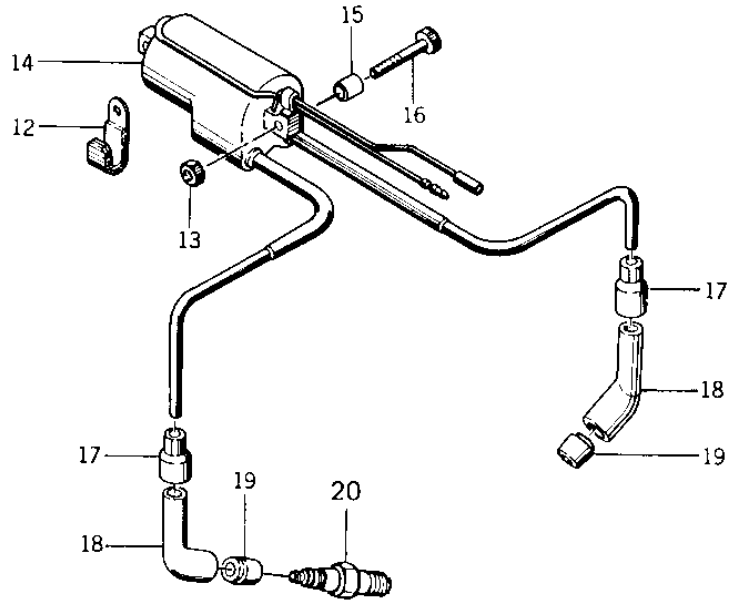


# 1978 KZ400-A2 PARTS DIAGRAM

## IGNITION



# 1978 KZ400-A2 PARTS LIST

## IGNITION

ITEM NAME	PART NUMBER	QUANTITY
ADVANCER ASSY TIMING (Ref # 1)	21148-006	
ADVANCER,AUTOMATIC TI (Ref # 1)	21148-014	
BREAKER ASSY CONTACT (Ref # 2)	21135-009	
CONDENSER (Ref # 3)	21013-034	
WASHER SPRING 4MM (Ref # 4)	461F0400	
SCREW PAN HEAD 4X6 (Ref # 5)	220B0406	
FELT OIL (Ref # 6)	21019-005	
BREAKER,CONTACT (Ref # 7)	21008-025	
WIRING HARNESS BRKR (Ref # 8)	21029-029	
SCREW PAN HEAD 5X12 (Ref # 9)	220B0512	
WASHER,SPARK ADVANCER (Ref # 10)	92022-244	
BOLT-8X63 (Ref # 11)	92001-1397	
BOLT-8X63 (Ref # 11)	92001-1397	
CLAMP,WIRING HARNESS (Ref # 12)	21126-008	
CLAMP,WIRING HARNESS (Ref # 12)	21126-008	
NUT 6MM (Ref # 13)	311B0600	
COIL-IGNITION (Ref # 14)	21121-1174	
COIL-IGNITION (Ref # 14)	21121-1174	
COLLAR,IGNITION COIL (Ref # 15)	92027-276	
COLLAR,IGNITION COIL (Ref # 15)	92027-276	
BOLT, IGNITION COIL (Ref # 16)	92003-170	
GROMMET,SPARK PLG CAP (Ref # 17)	21132-005	
CAP-SPARK PLUG,RTFM20 (Ref # 18)	21130-1007	
GROMMET-PLUG CAP,A (Ref # 19)	21131-004	
SPARK PLUG B8ES (Ref # 20)	B8ES	
SPARK PLUG W24ES-U (Ref # 20)	W24ESU	