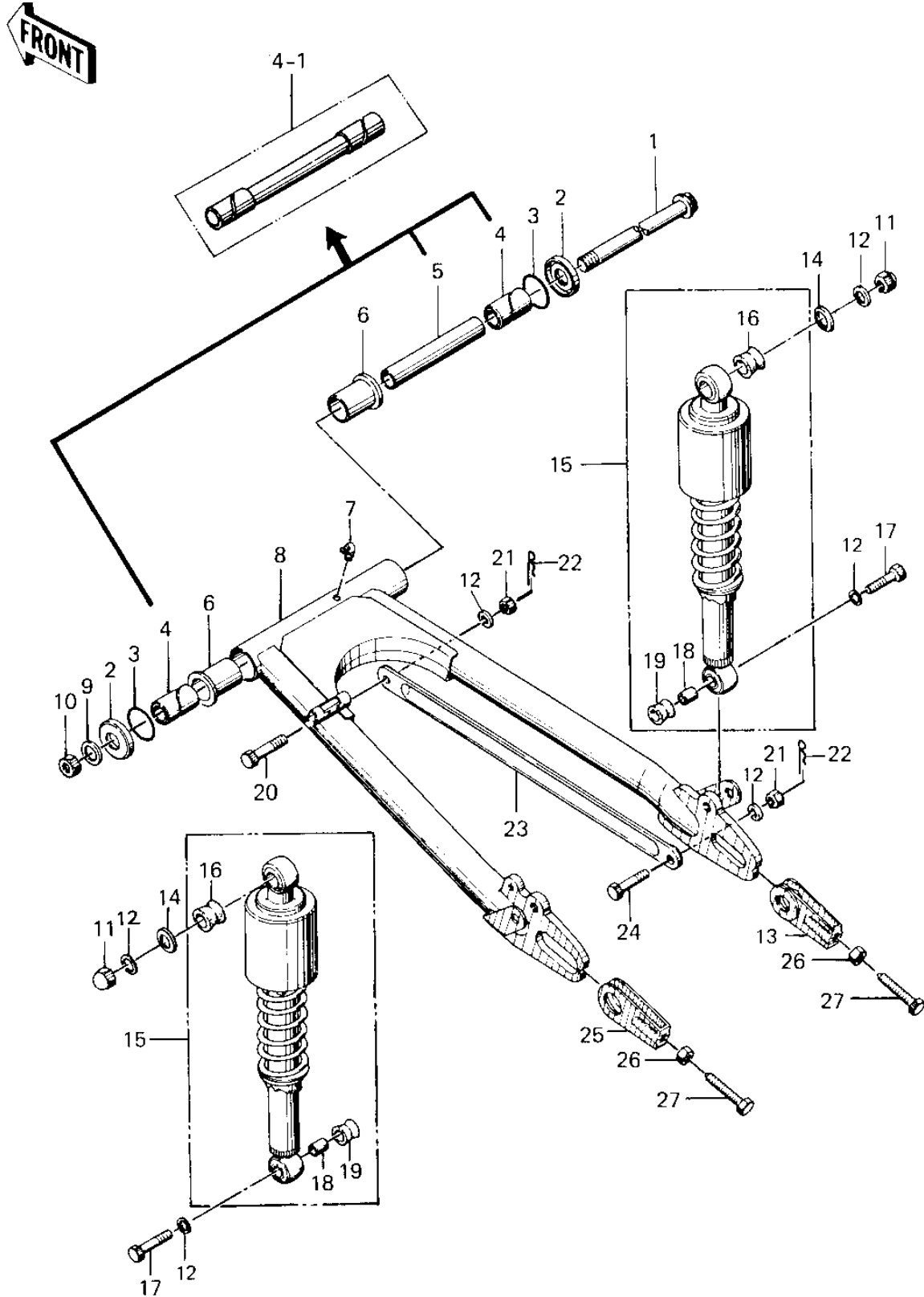


1978 KZ400-A2 PARTS DIAGRAM

SWING ARM/SHOCK ABSORBERS



1978 KZ400-A2 PARTS LIST

SWING ARM/SHOCK ABSORBERS

ITEM NAME	PART NUMBER	QUANTITY
SHAFT,SWING ARM PIVOT (Ref # 1)	33032-046	
CAP-SWING ARM (Ref # 2)	33035-004	
"0" RING,30MM (Ref # 3)	671B2530	
SLEEVE-SWING ARM,SHRT (Ref # 4)	33034-013	
SLEEVE, SWING ARM (Ref # 4-1)	33034-028	
COLLAR,SWING ARM (Ref # 5)	33036-006	
BUSHING-SWING ARM (Ref # 6)	33033-009	
GREASE NIPPLE (Ref # 7)	92005-002	
ARM,SWING (Ref # 8)	33001-073	
WASHER BRAKE PEDAL (Ref # 9)	92022-085	
NUT-LOCK,14MM (Ref # 10)	92019-011	
NUT SHOCK ABSORBER (Ref # 11)	92020-003	
WASHER SPRING 10MM (Ref # 12)	461F1000	
ADJUSTER-CHAIN (Ref # 13)	33040-043	
WASHER-PL-10.5X26X2.3 (Ref # 14)	92022-044	
WASHER-PLN,10X22X3.2 (Ref # 14)	92022-176	
SHOCK ABSBR RR (Ref # 15)	45014-119	
BUSHING,SHCK ABS RUB (Ref # 16)	45017-015	
BOLT HEX HEAD 10X35 (Ref # 17)	113N1035	
BUSHING,SHOCK ABSORB (Ref # 18)	45016-008	
BUSHING, SHCK ABS RUB (Ref # 19)	45017-012	
BOLT (Ref # 20)	92003-096	
NUT 10MM (Ref # 21)	315B1000	
PIN,SNAP (Ref # 22)	554A0800	
TORQUE LINK REAR BRK (Ref # 23)	43007-016	
BOLT HEX HEAD 10MM (Ref # 24)	92003-034	
ADJUSTER,CHAIN,L.H (Ref # 25)	33040-062	
NUT 8MM (Ref # 26)	312B0800	
BOLT,8X50 (Ref # 27)	92001-1399	