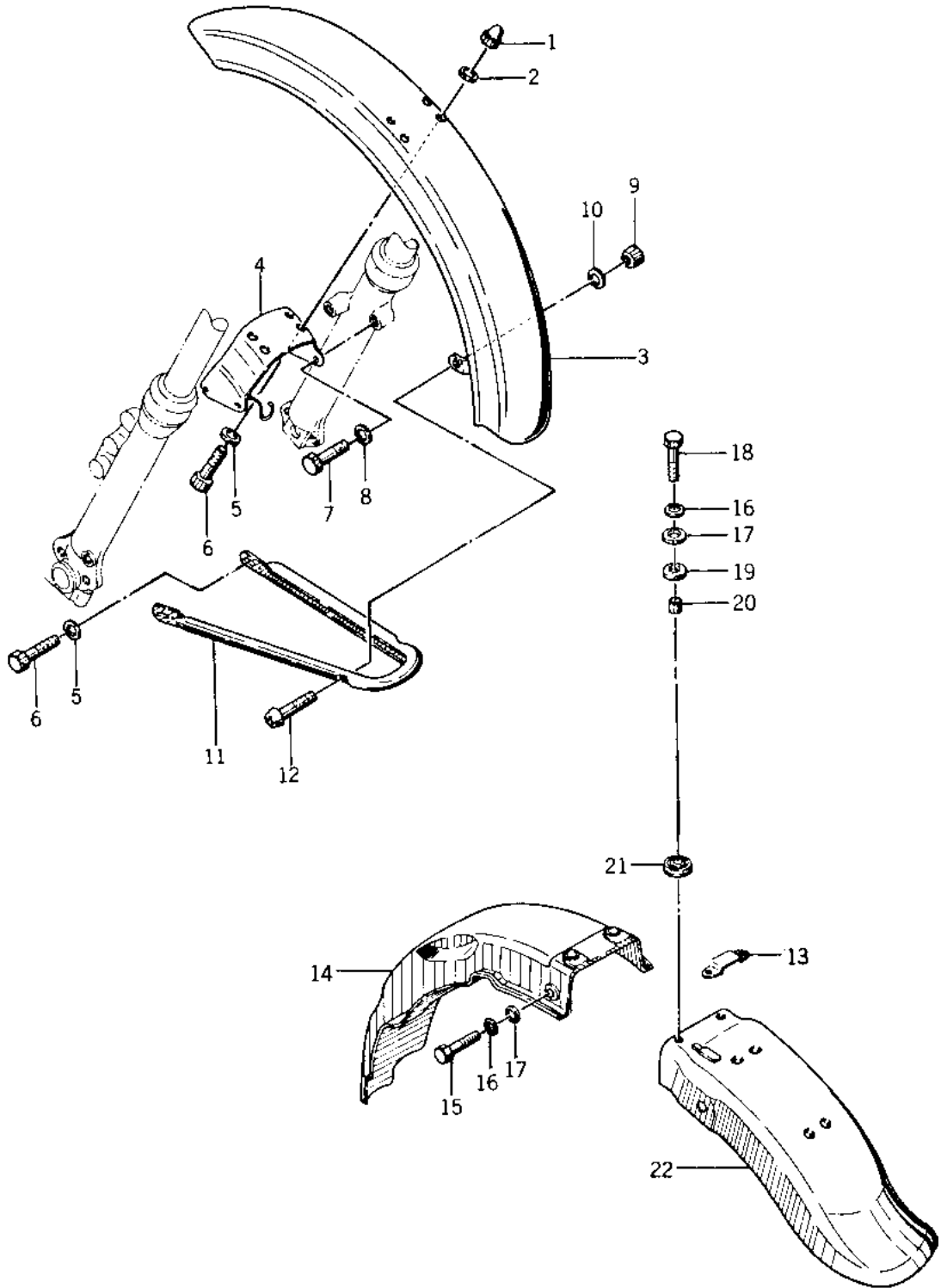


1978 KZ400-A2 PARTS DIAGRAM

FENDERS



1978 KZ400-A2 PARTS LIST

FENDERS

| ITEM NAME | PART NUMBER | QUANTITY |
|----------------------------------|-------------|----------|
| NUT-6MM (Ref # 1) | 322N0600 | |
| WASHER PLAIN 6MM (Ref # 2) | 411B0600 | |
| FENDER-FR (Ref # 3) | 35004-095 | |
| BRACE,FRONT FENDER (Ref # 4) | 35009-032 | |
| WASHER SPRING 6MM (Ref # 5) | 461F0600 | |
| BOLT-UPSET,6X12 (Ref # 6) | 112G0612 | |
| BOLT-SMALL-UPSET,8X16 (Ref # 7) | 115G0816 | |
| WASHER SPRING 8MM (Ref # 8) | 461F0800 | |
| NUT,5MM (Ref # 9) | 311B0500 | |
| WASHER SPRING 5MM (Ref # 10) | 461F0500 | |
| STAY,FRONT FENDER (Ref # 11) | 35010-027 | |
| SCREW,OVL CNTSNK,5X20 (Ref # 12) | 222E0520A | |
| PLATE,REAR FENDER (Ref # 13) | 35042-003 | |
| FENDER-RR (Ref # 14) | 35022-138 | |
| BOLT-UPSET (Ref # 15) | 112G0618 | |
| WASHER SPRING 6MM (Ref # 16) | 461F0600 | |
| WASHER,PLAIN,7MM (Ref # 17) | 92022-228 | |
| BOLT-UPSET (Ref # 18) | 112G0625 | |
| COLLAR (Ref # 20) | 92027-241 | |
| DAMPER RUBBER (Ref # 21) | 92075-175 | |
| FENDER-RR (Ref # 22) | 35022-114 | |