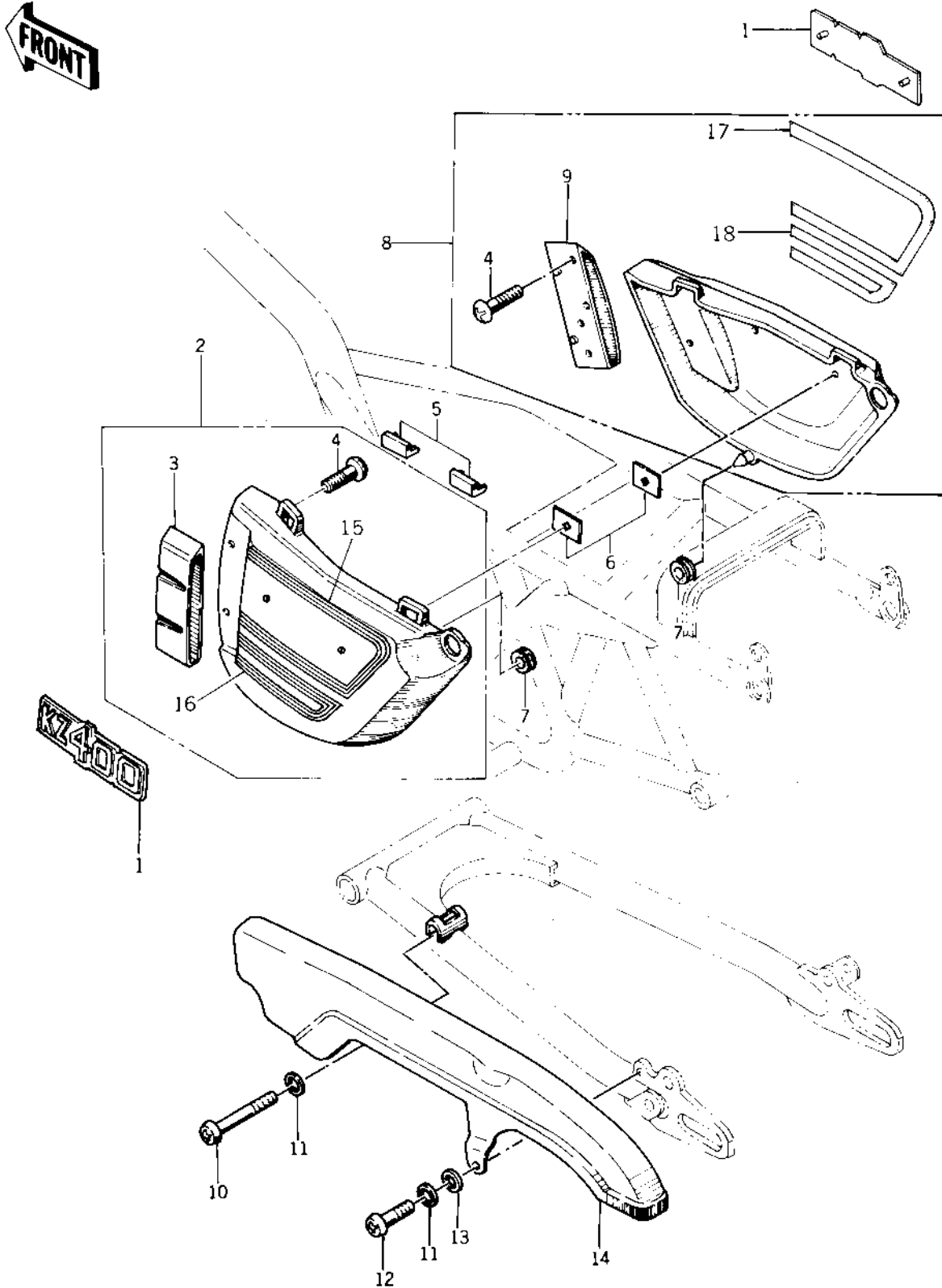


1978 KZ400-A2 PARTS DIAGRAM

SIDE COVERS/CHAIN COVER



1978 KZ400-A2 PARTS LIST

SIDE COVERS/CHAIN COVER

ITEM NAME	PART NUMBER	QUANTITY
EMBLEM,SIDE COVER (Ref # 1)	56018-231	
COVER,SIDE L.H. (Ref # 2)	36001-053-8D	
TRIMING,L.H SIDE COV (Ref # 3)	36029-004	
SCREW,TAPPING (Ref # 4)	92008-009	
PROTECTOR SIDE COVER (Ref # 5)	31082-005	
NUT,LOCK,3MM (Ref # 6)	92018-005	
GROMMET (Ref # 7)	92071-056	
COVER,RH SIDE,C.COPPR (Ref # 8)	36007-048-8D	
TRIMING,R.H SIDE COV (Ref # 9)	36029-003	
SCREW PAN HEAD 6X60 (Ref # 10)	220E0660	
WASHER SPRING 6MM (Ref # 11)	461F0600	
SCREW PAN HEAD 6X12 (Ref # 12)	220E0612	
WASHER-PLAIN,6MM (Ref # 13)	411D0600	
CASE-CHAIN,BLACK (Ref # 14)	36014-063-10	
DECAL,LH SIDECOVER UP (Ref # 15)	56029-022	
DECAL,L SIDECOVER LOWER (Ref # 16)	56029-023	
DECAL,RH SIDECOVER UP (Ref # 17)	56029-192	
DECAL,R.SIDECOVER LOWER (Ref # 18)	56029-193	