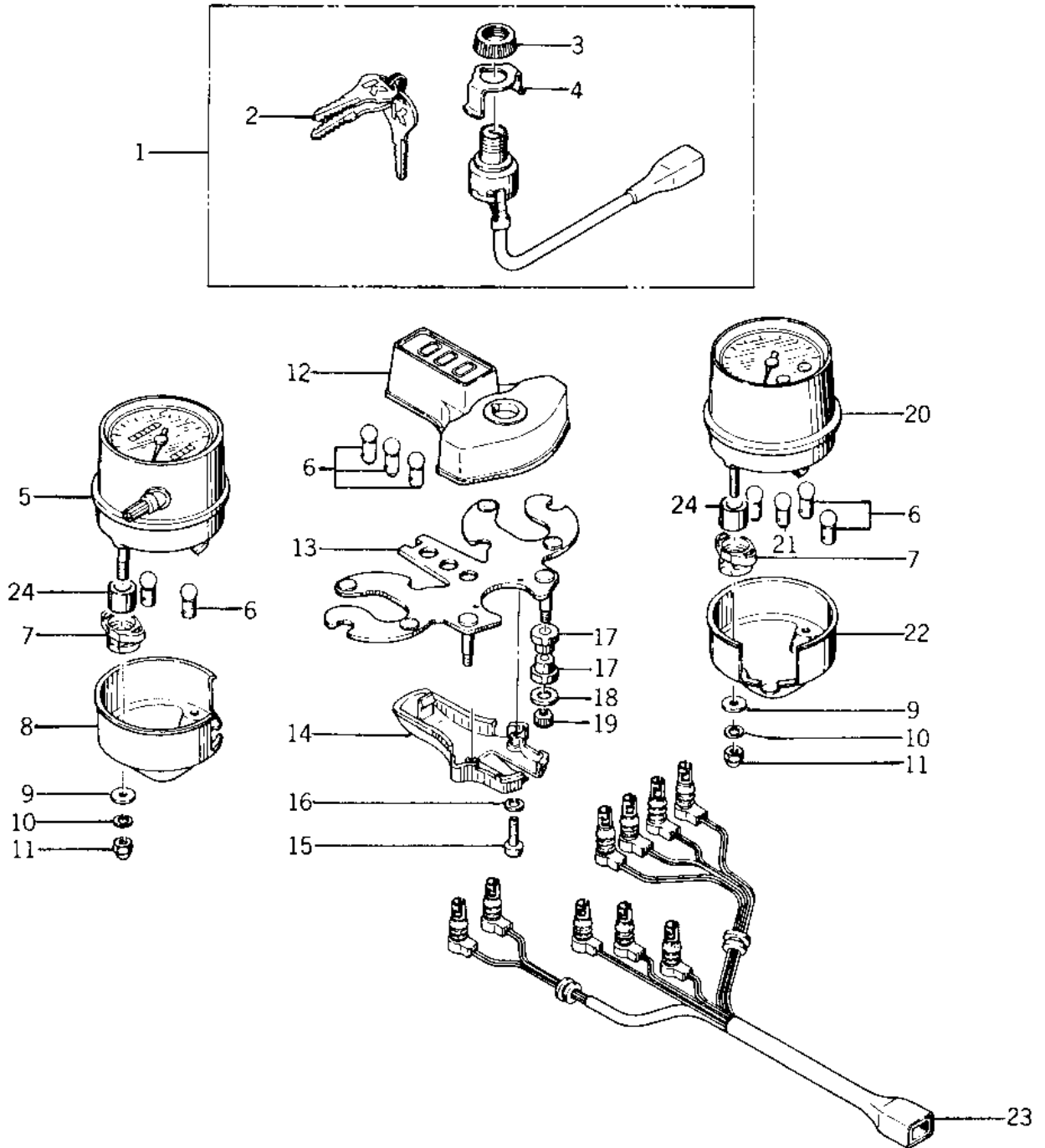


1978 KZ400-A2 PARTS DIAGRAM

METERS/IGNITION SWITCH



1978 KZ400-A2 PARTS LIST

METERS/IGNITION SWITCH

ITEM NAME	PART NUMBER	QUANTITY
SWITCH ASSY IGNITION (Ref # 1)	27005-075	
KEY SET,#751 (Ref # 2)	27008-064-51	
KEY SET,#795 (Ref # 2)	27008-064-95	
KEY,BLANK (Ref # 2)	27008-1013	
NUT,IGNITION SW LOCK (Ref # 3)	27007-004	
HOLDER,IGNITION SW (Ref # 4)	27019-004	
SPEEDOMETER ASSY,MPH (Ref # 5)	25005-126	
BULB 12V 3W (Ref # 6)	92069-018	
DAMPER RUBBER (Ref # 7)	92075-268	
COVER SPEEDOMETER (Ref # 8)	25012-020	
COVER,SPEEDOMETER (Ref # 8)	25012-026	
WASHER PLAIN 5MM (Ref # 9)	411B0500	
WASHER SPRING 5MM (Ref # 10)	461F0500	
NUT-CAP,5MM (Ref # 11)	322N0500	
COVER INDICATOR LIGHT (Ref # 12)	25023-013	
BRACKET METER (Ref # 13)	25008-037	
COVER METER BRACKET (Ref # 14)	25024-005	
SCREW-PAN-CRSOSS,4X12 (Ref # 15)	220B0412	
WASHER SPRING 4MM (Ref # 16)	461F0400	
DAMPER RUBBER (Ref # 17)	92075-257	
WASHER,PLAIN,30MM (Ref # 18)	92022-264	
NUT 6MM (Ref # 19)	311B0600	
TACHOMETER ASSY (Ref # 20)	25016-027	
BULB 12V 1.5W (Ref # 21)	92069-017	
COVER TACHOMETER (Ref # 22)	25012-019	
COVER,TACHOMETER (Ref # 22)	25012-027	
SOCKET SPEEDO&TACHO (Ref # 23)	25011-047	
COLLAR (Ref # 24)	92027-244	