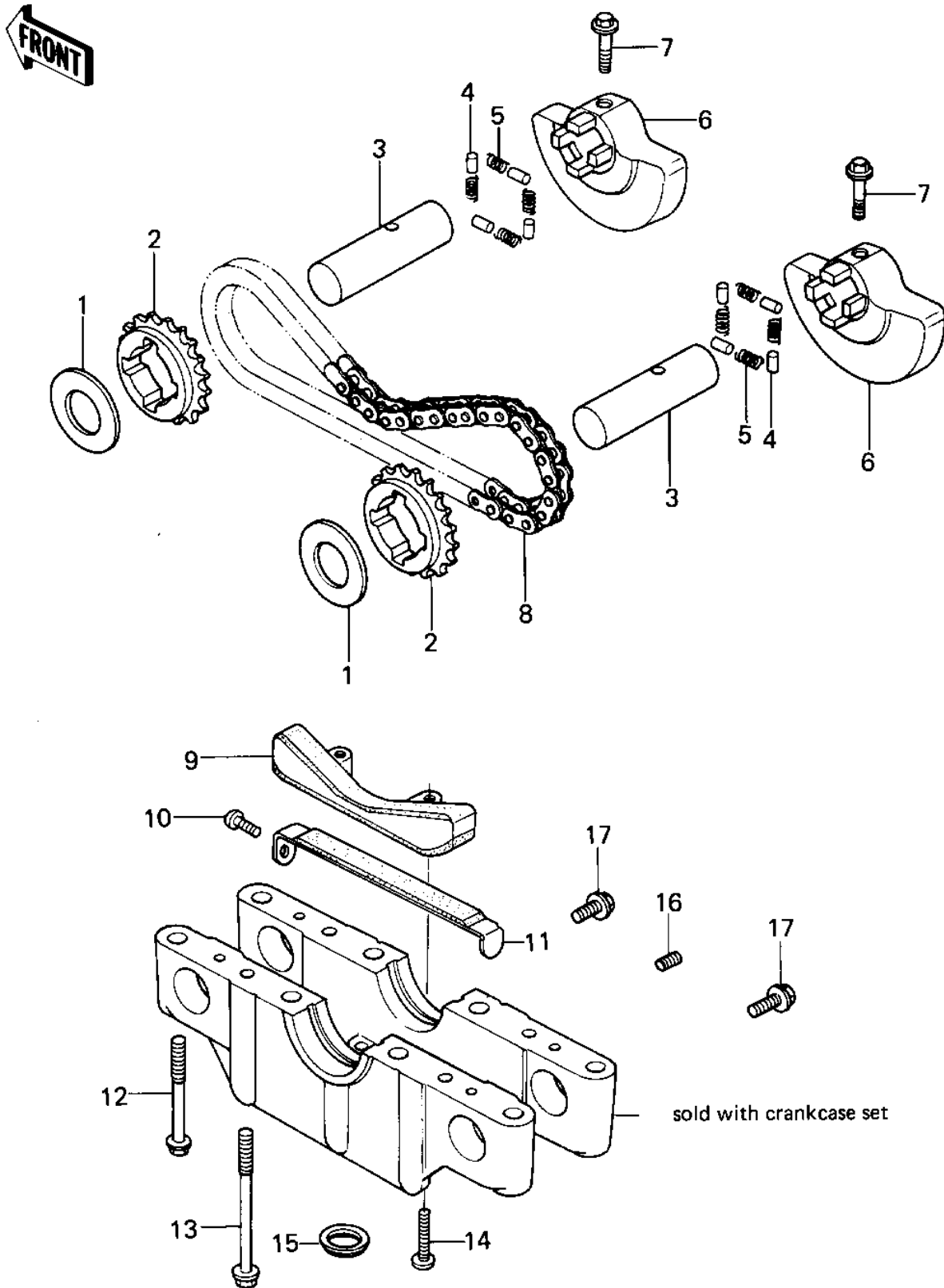


# 1979 KZ400-B2 PARTS DIAGRAM

## BALANCER



## 1979 KZ400-B2 PARTS LIST

### BALANCER

ITEM NAME	PART NUMBER	QUANTITY
SPACER,20,3X40X1 (Ref # 1)	92026-1003	
SPROCKET,BALANCER,21T (Ref # 2)	12046-1003	
SHAFT,IDLER,BALANCER (Ref # 3)	39115-1002	
PIN DOWEL 4X8 (Ref # 4)	610A0408	
SPRING,BALANCER (Ref # 5)	92081-135	
BALANCER (Ref # 6)	13041-1002	
BOLT,6X32 (Ref # 7)	92003-229	
CHAIN,BALANCER (Ref # 8)	92057-1007	
GUIDE-CHAIN,BALANCER (Ref # 9)	12053-1051	
SCREW PAN HEAD 6X8 (Ref # 10)	220B0608	
GUIDE,BALANCER,CHAIN (Ref # 11)	12053-1003	
BOLT,FLANGED,8X58 (Ref # 12)	92001-1005	
BOLT,FLANGED,10X91 (Ref # 13*)	92001-1004	
BOLT,FLANGED,10X91 (Ref # 13*)	92001-1004	
SCREW PAN HEAD 6X30 (Ref # 14)	220B0630	
O RING,0.D=18MM (Ref # 15)	92055-048	
SCREW,6X6 (Ref # 16*)	290Q0606	
BOLT,FLANGED,6X8 (Ref # 17*)	130P0608	