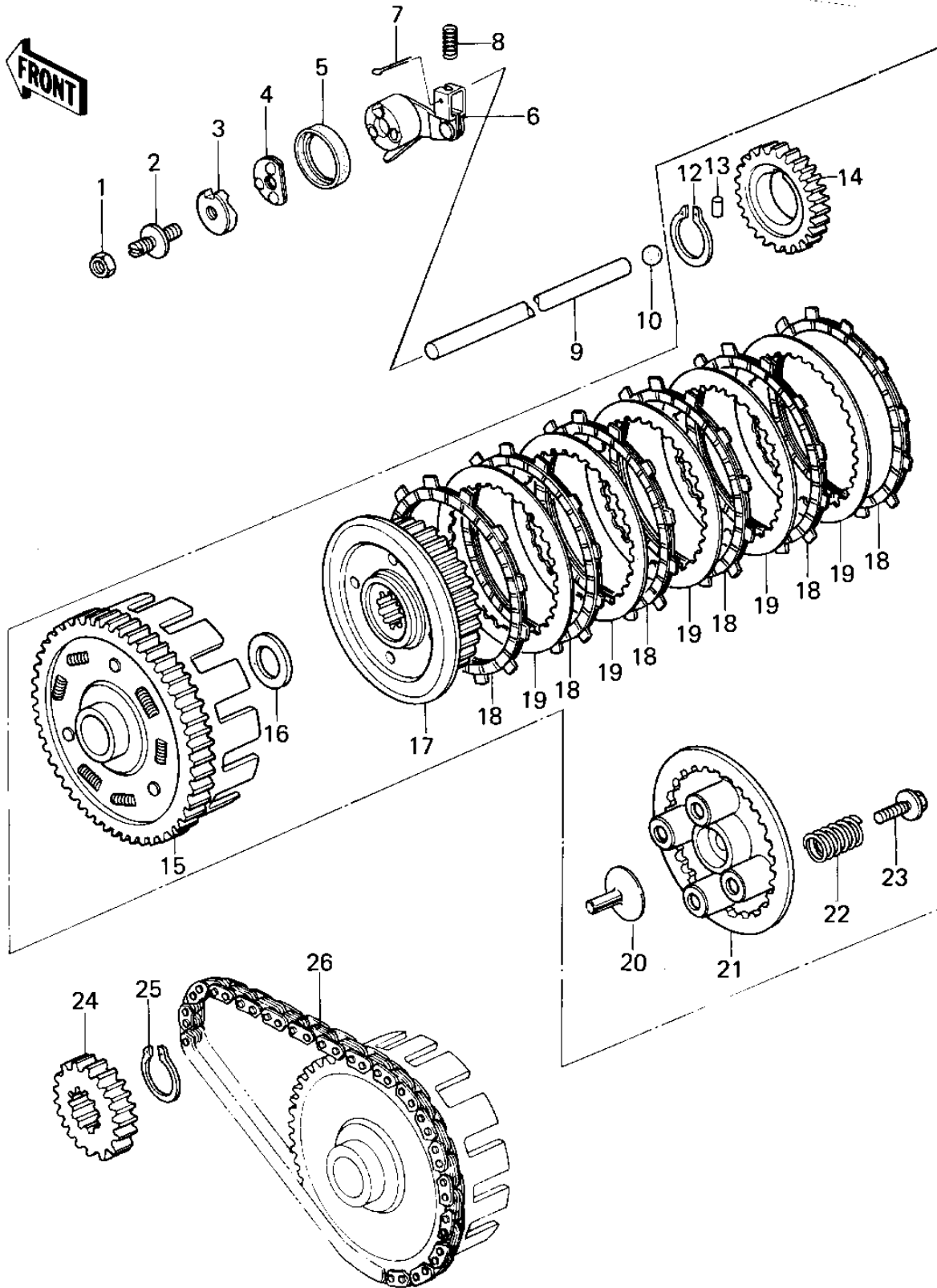


1979 KZ400-B2 PARTS DIAGRAM

CLUTCH



1979 KZ400-B2 PARTS LIST

CLUTCH

| ITEM NAME | PART NUMBER | QUANTITY |
|----------------------------------|-------------|----------|
| NUT 8MM (Ref # 1) | 318B0800 | |
| SCREW,SLOTTED,8M/M (Ref # 2) | 92009-1009 | |
| CAM,RELEASE,CLUTCH (Ref # 3) | 13119-1003 | |
| CAM,RELEASE,CLUTCH (Ref # 3) | 13119-1003 | |
| BEARING,BALL,CLUTCH (Ref # 4) | 92045-1001 | |
| OIL SEAL,CLUTCH RELES (Ref # 5) | 92049-1003 | |
| RELEASE, CLUTCH (Ref # 6) | 13102-1004 | |
| RELEASE, CLUTCH (Ref # 6) | 13102-1004 | |
| PIN COTTER 1.6X15 (Ref # 7) | 550D1615 | |
| SPRING,CLUTCH RETURN (Ref # 8) | 92081-1058 | |
| ROD,PUSH,CLUTCH (Ref # 9) | 13116-1017 | |
| BALL STEEL 3/8' (Ref # 10) | 600A1200 | |
| CLUTCH-ASSY (Ref # 11) | 13081-1019 | |
| CLUTCH-ASSY (Ref # 11) | 13081-1019 | |
| CIRCLIP, 38MM (Ref # 12) | 480J3800 | |
| PIN, DOWELL, 6X6 (Ref # 13) | 610A0606 | |
| GEAR,OIL PUMP,34T (Ref # 14) | 59051-1001 | |
| HOUSING,CLUTCH (Ref # 15) | 13095-1008 | |
| WASHER,CLUTCH THRUST (Ref # 16) | 92022-288 | |
| HUB,CLUTCH (Ref # 17) | 13087-040 | |
| PLATE,FRICITION (Ref # 18) | 13088-1001 | |
| PLATE,CLUTCH STEEL (Ref # 19) | 13089-026 | |
| PUSHER,CLTCH SPRG PLT (Ref # 20) | 13116-029 | |
| PLATE,CLUTCH SPRING (Ref # 21) | 13187-1003 | |
| SPRING,CLUTCH (Ref # 22) | 92081-1033 | |
| BOLT,CLUTCH SPR FITT (Ref # 23) | 92001-1066 | |
| SPROCKET,PRIMARY (Ref # 24) | 13121-030 | |
| CIRCLIP,30MM (Ref # 25) | 480J3000 | |
| CHAIN,PRIMARY DRIVE (Ref # 26) | 13122-005 | |