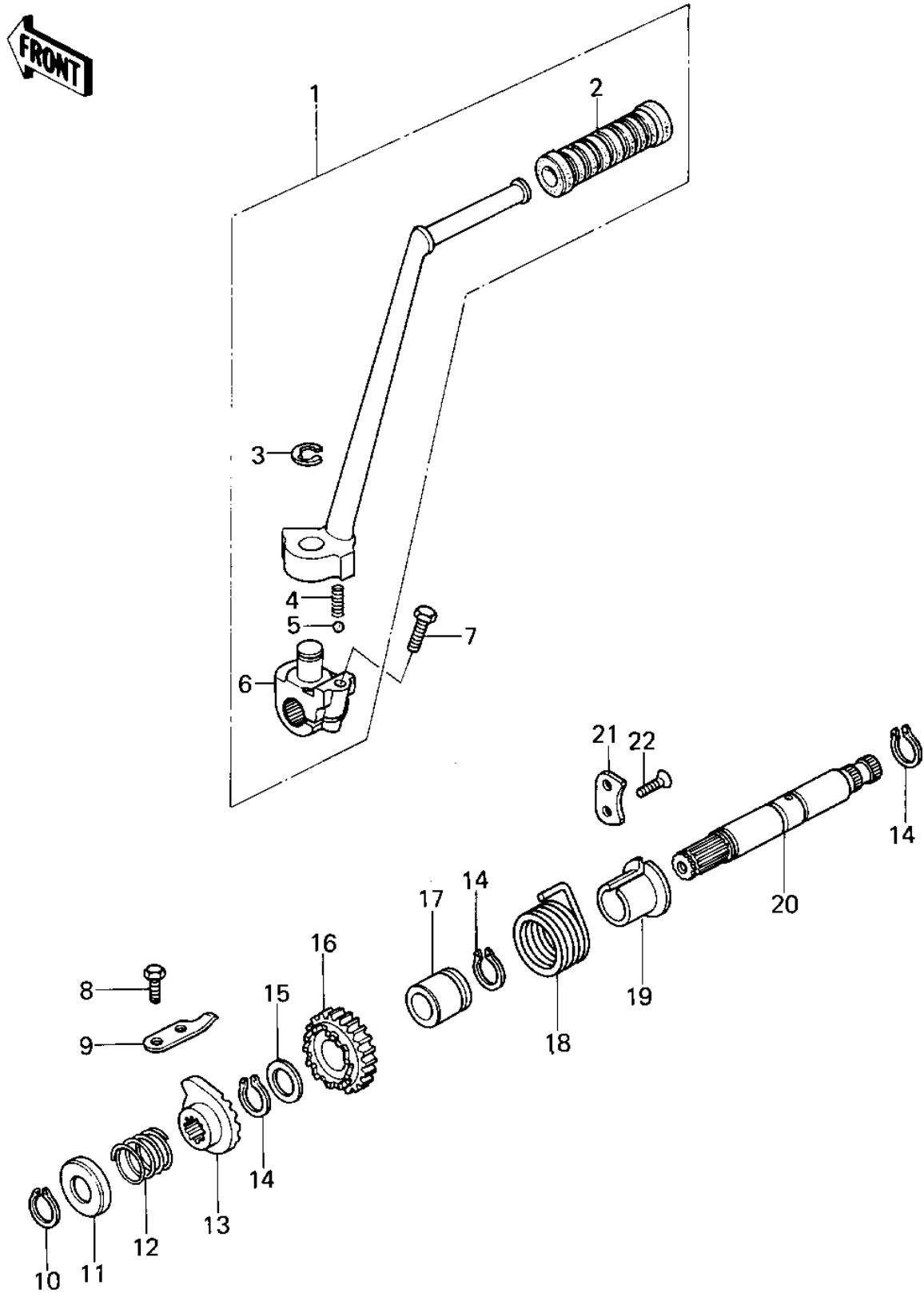


# 1978 KZ400-B1 PARTS DIAGRAM

## KICKSTARTER MECHANISM



# 1978 KZ400-B1 PARTS LIST

## KICKSTARTER MECHANISM

ITEM NAME	PART NUMBER	QUANTITY
PEDAL ASSY,KICK (Ref # 1)	13064-1002	1
RUBBER KICK PEDAL (Ref # 2)	13063-004	1
CIRCLIP 9MM (Ref # 3)	482K9000	1
SPRING KICK PEDAL (Ref # 4)	92081-020	1
BALL STEEL 1/4' (Ref # 5)	600A0800	1
BOSS,KICK PEDAL (Ref # 6)	13061-1001	1
BOLT,FLANGED,8X35 (Ref # 7)	92001-1577	1
BOLT-UPSET,6X20 (Ref # 8)	112G0620	2
STOPPER,KICKSTARTER (Ref # 9)	13072-012	1
CIRCLIP,19MM (Ref # 10)	480J1900	1
CAP,KICKSTARTER (Ref # 11)	92102-008	1
SPRING RATCHET (Ref # 12)	92081-104	1
RATCHET,KICK SHAFT (Ref # 13)	13078-011	1
CIRCLIP, 20MM (Ref # 14)	480J2000	3
WASHER THRUST (Ref # 15)	92022-112	1
GEAR,KICK,20T (Ref # 16)	59051-1007	1
BUSHING,KICK SHAFT (Ref # 17)	92028-175	1
SPRING,KICK RETURN (Ref # 18)	92082-006	1
GUIDE,KICK SPRING (Ref # 19)	13070-009	1
SHAFT,KICK (Ref # 20)	13066-1001	1
PLATE-DRUM LEV POSTON (Ref # 21)	13169-007	1
SCREW CNTSNK HD 6X16 (Ref # 22)	221B0616	2