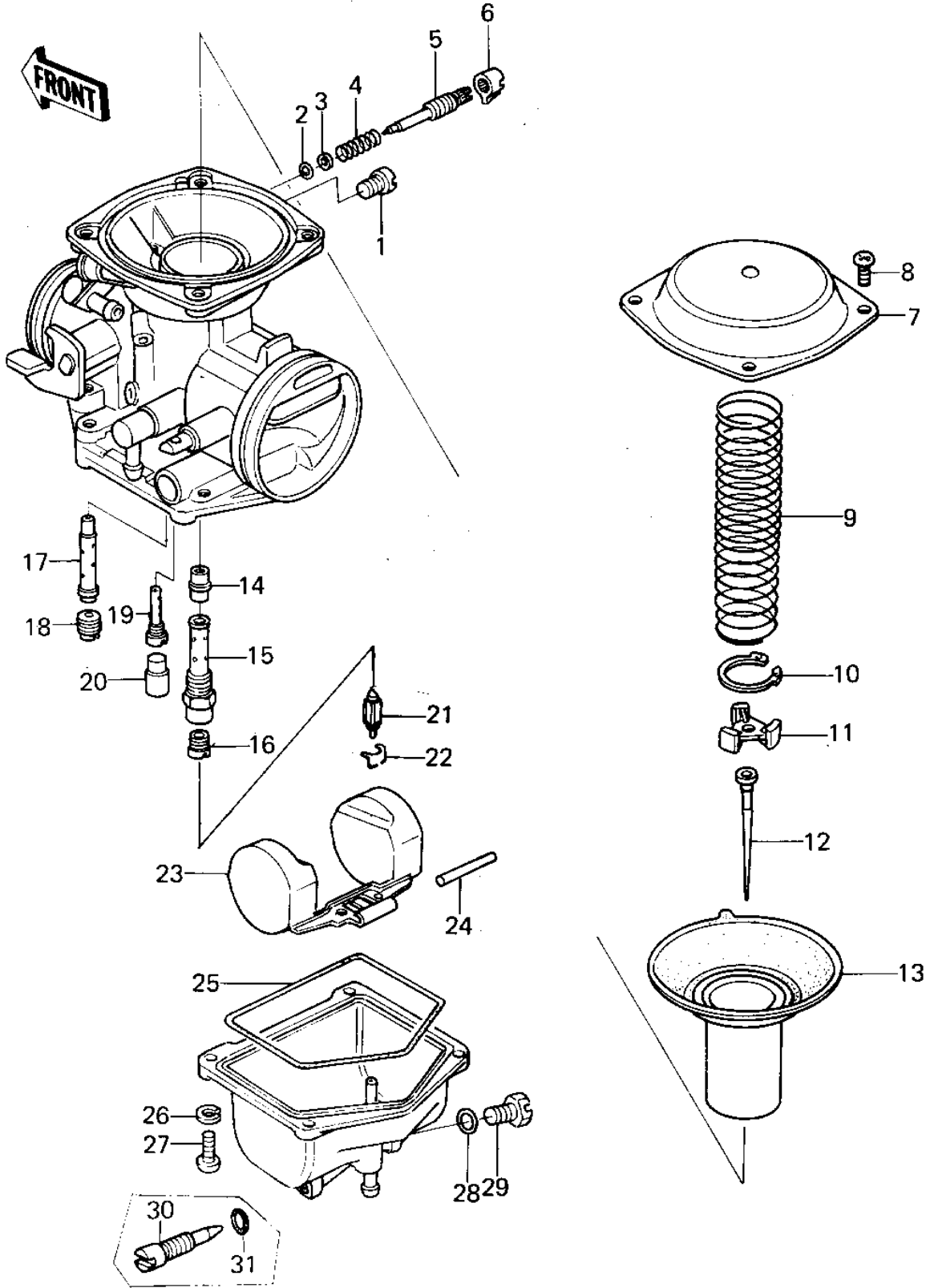


1978 KZ400-B1 PARTS DIAGRAM

CARBURETOR PARTS



Re

1978 KZ400-B1 PARTS LIST

CARBURETOR PARTS

ITEM NAME	PART NUMBER	QUANTITY
SCREW,PLUG (Ref # 1)	92009-1004	2
O RING,PILOT ADJ (Ref # 2)	92055-1002	2
WASHER,PLAIN (Ref # 3)	92022-1003	2
SPRING,PIROT ADJ SCRW (Ref # 4)	92081-1002	2
SCREW,PILOT ADJUST (Ref # 5)	16014-1001	2
SCREW,PILOT ADJUST (Ref # 5)	16014-1009	2
CAP,JET NEEDLE (Ref # 6)	11012-3727	2
TOP,MIXING CHAMBER (Ref # 7)	16005-1001	2
SCREW PAN HEAD 4X8 (Ref # 8)	220B0408	7
SPRING (Ref # 9)	92081-1001	2
CIRCLIP (Ref # 10)	92037-1005	2
COLLAR (Ref # 11)	16007-1001	2
JET NEEDLE,003303 (Ref # 12)	16009-1010	2
JET NEEDLE,#003001 (Ref # 12)	16009-1027	2
VACUUM,VALVE (Ref # 13)	16126-1042	2
NEEDLE JET (Ref # 14)	16017-1001	2
HOLDER,NEEDLE JET (Ref # 15)	13091-1019	2
HOLDER,N.J,N413-02D00 (Ref # 15)	13091-1047	2
MAIN JET,2ND,#90 (Ref # 16)	92063-1003	2
MAIN JET,2ND,#85 (Ref # 16)	92063-1023	(2
MAIN JET,2ND #88 (Ref # 16)	92063-1024	(2
MAIN JET,#92,2ND (Ref # 16)	92063-1004	(2
MAIN JET,2ND,#95 (Ref # 16)	92063-1001	(2
NOZZLE,MAIN (Ref # 17)	92062-1001	2
MAINJET,PRIMARY,#70 (Ref # 18)	92063-1002	2
PILOT JET,#35 (Ref # 19)	92064-1001	2
CAP,RUBBER (Ref # 20)	16012-1001	2
FLOAT VALVE (Ref # 21)	16030-1007	2
CLIP,FLOAT VALVE (Ref # 22)	16044-007	2

1978 KZ400-B1 PARTS LIST

CARBURETOR PARTS

ITEM NAME	PART NUMBER	QUANTITY
FLOAT (Ref # 23)	16031-1001	2
FLOAT PIN (Ref # 24)	92043-1002	2
"O" RING,FLOAT BALL (Ref # 25)	16019-024	2
WASHER SPRING 4MM (Ref # 26)	461F0400	8
SCREW-PAN-CRSOSS,4X12 (Ref # 27)	220B0412	8
"O" RING,DRAIN SCREW (Ref # 28)	92055-1003	2
SCREW,DRAIN (Ref # 29)	92009-1003	2
SCREW,DRAIN (Ref # 30)	92009-1095	2
"O" RING,DRAIN SCREW (Ref # 31)	92055-1053	2