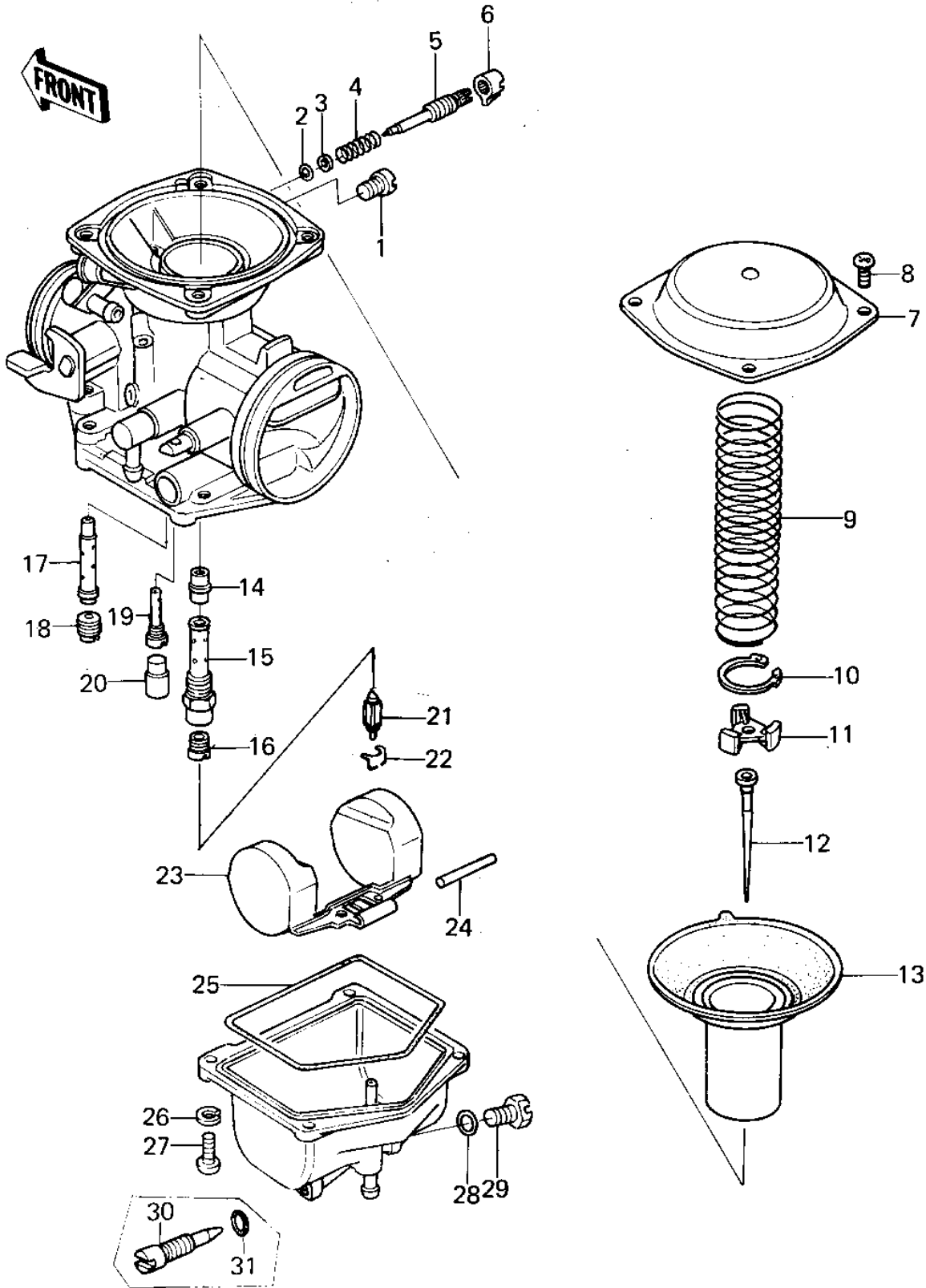


1979 KZ400-B2 PARTS DIAGRAM

CARBURETOR PARTS



Re

1979 KZ400-B2 PARTS LIST

CARBURETOR PARTS

ITEM NAME	PART NUMBER	QUANTITY
SCREW,PLUG (Ref # 1)	92009-1004	
O RING,PILOT ADJ (Ref # 2)	92055-1002	
WASHER,PLAIN (Ref # 3)	92022-1003	
SPRING,PIROT ADJ SCRW (Ref # 4)	92081-1002	
SCREW,PILOT ADJUST (Ref # 5)	16014-1001	
SCREW,PILOT ADJUST (Ref # 5)	16014-1009	
CAP,JET NEEDLE (Ref # 6)	11012-3727	
TOP,MIXING CHAMBER (Ref # 7)	16005-1001	
SCREW PAN HEAD 4X8 (Ref # 8)	220B0408	
SPRING (Ref # 9)	92081-1001	
CIRCLIP (Ref # 10)	92037-1005	
COLLAR (Ref # 11)	16007-1001	
JET NEEDLE,003303 (Ref # 12)	16009-1010	
JET NEEDLE,#003001 (Ref # 12)	16009-1027	
VACUUM,VALVE (Ref # 13)	16126-1042	
NEEDLE JET (Ref # 14)	16017-1001	
HOLDER,NEEDLE JET (Ref # 15)	13091-1019	
HOLDER,N.J,N413-02D00 (Ref # 15)	13091-1047	
MAIN JET,2ND,#90 (Ref # 16)	92063-1003	
MAIN JET,2ND,#85 (Ref # 16)	92063-1023	
MAIN JET,2ND #88 (Ref # 16)	92063-1024	
MAIN JET,#92,2ND (Ref # 16)	92063-1004	
MAIN JET,2ND,#95 (Ref # 16)	92063-1001	
NOZZLE,MAIN (Ref # 17)	92062-1001	
MAINJET,PRIMARY,#70 (Ref # 18)	92063-1002	
PILOT JET,#35 (Ref # 19)	92064-1001	
CAP,RUBBER (Ref # 20)	16012-1001	
FLOAT VALVE (Ref # 21)	16030-1007	
CLIP,FLOAT VALVE (Ref # 22)	16044-007	

1979 KZ400-B2 PARTS LIST

CARBURETOR PARTS

ITEM NAME	PART NUMBER	QUANTITY
FLOAT (Ref # 23)	16031-1001	
FLOAT PIN (Ref # 24)	92043-1002	
"O" RING,FLOAT BALL (Ref # 25)	16019-024	
WASHER SPRING 4MM (Ref # 26)	461F0400	
SCREW-PAN-CRSOSS,4X12 (Ref # 27)	220B0412	
"O" RING,DRAIN SCREW (Ref # 28)	92055-1003	
SCREW,DRAIN (Ref # 29)	92009-1003	
SCREW,DRAIN (Ref # 30)	92009-1095	
"O" RING,DRAIN SCREW (Ref # 31)	92055-1053	