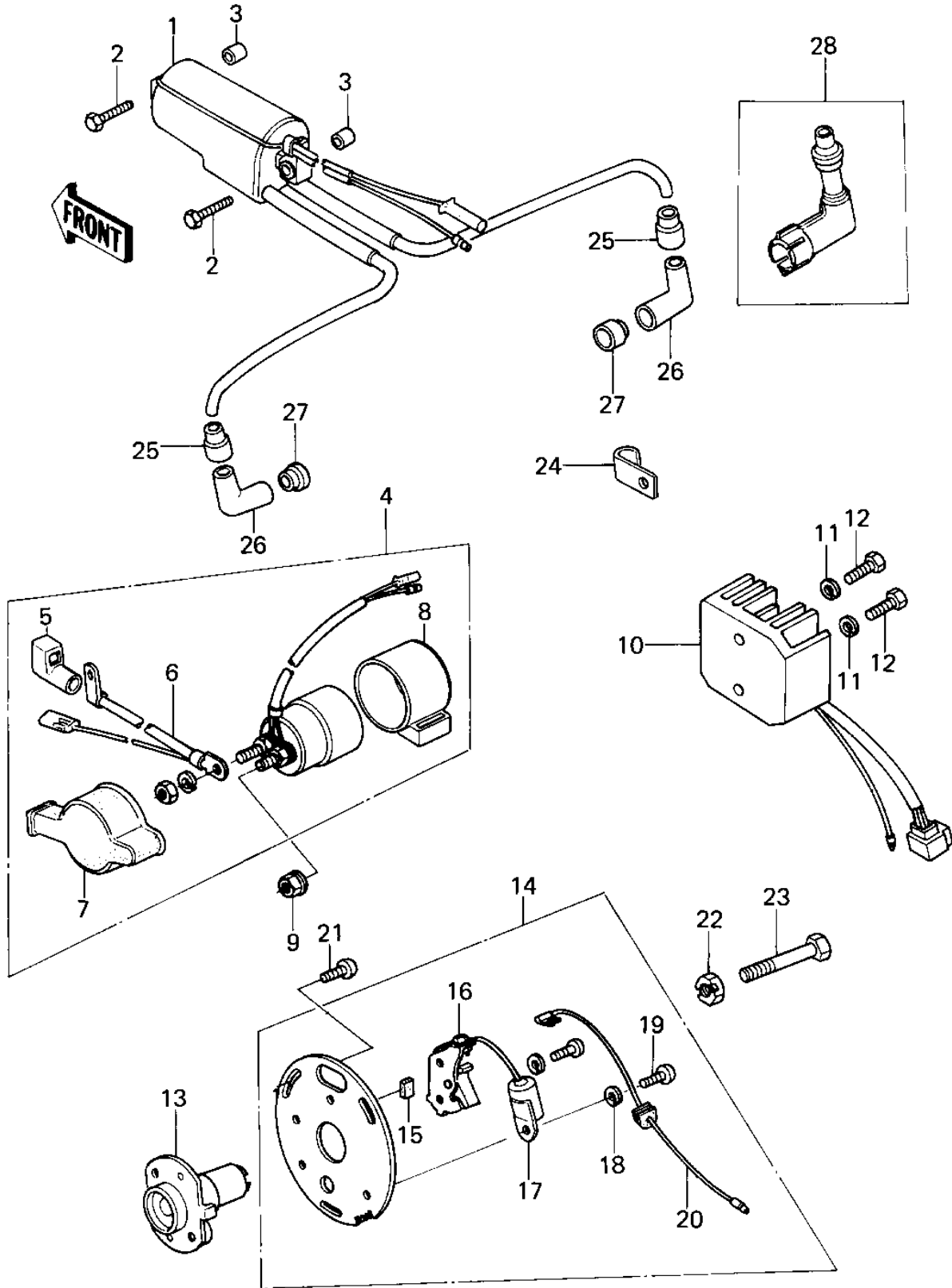


1979 KZ400-B2 PARTS DIAGRAM

IGNITION/REGULATOR



1979 KZ400-B2 PARTS LIST

IGNITION/REGULATOR

ITEM NAME	PART NUMBER	QUANTITY
COIL-IGNITION (Ref # 1)	21121-1174	
BOLT, IGNITION COIL (Ref # 2)	92003-170	
COLLAR,IGNITION COIL (Ref # 3)	92027-276	
SWITCH MAGNETIC (Ref # 4)	27010-1014	
CAP,MAG SWTCH TERMNL (Ref # 5)	21017-021	
WIRE,LEAD,MAG SWITCH (Ref # 6)	26011-1027	
COVER MAGNETIC SWITCH (Ref # 7)	21141-004	
DAMPER MAG SWITCH SHK (Ref # 8)	21064-002	
NUT,LOCK 6MM (Ref # 9)	92017-014	
REGULATOR (Ref # 10)	21066-029	
WASHER SPRING 6MM (Ref # 11)	461F0600	
BOLT-UPSET,6X16 (Ref # 12)	112G0616	
GOVERNOR,BREAKER (Ref # 13)	21148-1002	
BREAKER ASSY,CONTACT (Ref # 14)	21008-1014	
FELT OIL (Ref # 15)	21019-005	
BREAKER,CONTACT (Ref # 16)	21008-027	
CONDENSER (Ref # 17)	21013-1004	
WASHER SPRING 6MM (Ref # 18)	461F0600	
SCREW PAN HEAD 4X6 (Ref # 19)	220B0406	
WIRE,LEAD,BREAKER (Ref # 20)	26011-1030	
SCREW PAN HEAD 5X12 (Ref # 21)	220B0512	
WASHER,SPARK ADVANCER (Ref # 22)	92022-244	
BOLT-8X63 (Ref # 23)	92001-1397	
CLAMP,WIRING HARNESS (Ref # 24)	21126-008	
GROMMET,SPARK PLG CAP (Ref # 25)	21132-005	
CAP-SPARK PLUG,RTFM20 (Ref # 26)	21130-1007	
GROMMET-PLUG CAP,A (Ref # 27)	21131-004	
CAP,SPARK PLUG (Ref # 28)	21160-005	