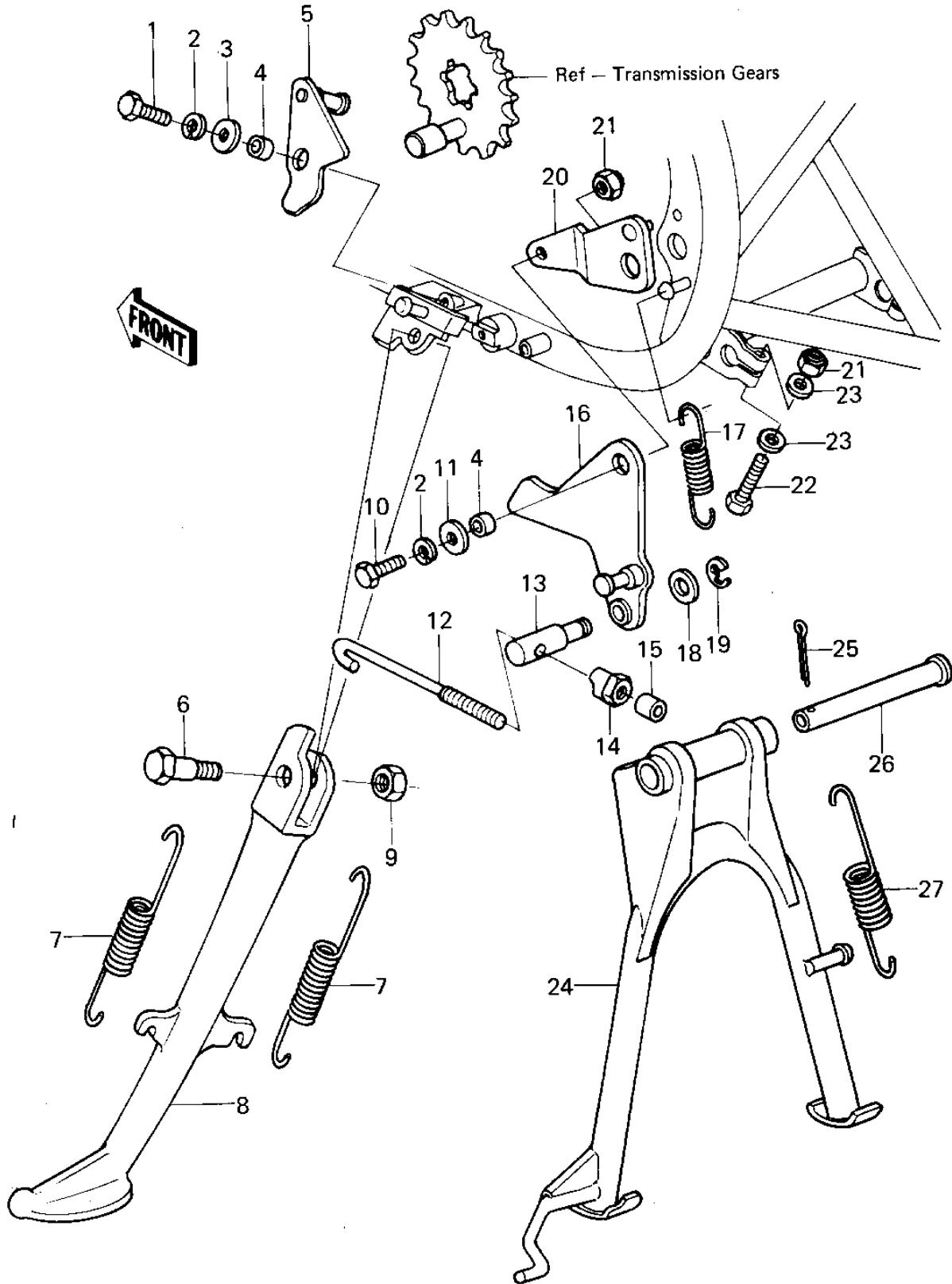


1978 KZ400-B1 PARTS DIAGRAM

STANDS



1978 KZ400-B1 PARTS LIST

STANDS

ITEM NAME	PART NUMBER	QUANTITY
BOLT-UPSET,6X16 (Ref # 1)	112G0616	1
WASHER SPRING 6MM (Ref # 2)	461F0600	2
WASHER PLAIN 6MM (Ref # 3)	411B0600	1
COLLAR,6.3X10X4.8 (Ref # 4)	92027-1066	2
LATCH,SIDE STAND (Ref # 5)	49031-1001	1
BOLT, SIDE STAND FIT (Ref # 6)	92003-157	1
SPRING,SIDE STAND (Ref # 7)	92081-1020	2
STAND-SIDE (Ref # 8)	34024-1008	1
NUT 10MM (Ref # 9)	315B1000	1
NUT,20MM (Ref # 9)	92015-1555	1
BOLT-UPSET,6X20 (Ref # 10)	112G0620	1
WASHER 6.5X20X1.6T (Ref # 11)	92022-125	1
ROD,TIE,SIDE STAND (Ref # 12)	39111-1002	1
PIN,SIDE STAND (Ref # 13)	92043-1018	1
NUT,6M/M (Ref # 14)	92015-1028	1
TUBE,4.5X9X7 (Ref # 15)	92059-1012	1
LEVER,SIDE STAND (Ref # 16)	13168-1005	1
SPRING (Ref # 17)	92081-1023	1
WASHER PLAIN 8MM (Ref # 18)	410B0800	1
CIRCLIP,6M/M (Ref # 19)	482K6000	1
BRACKET,SIDE STAND (Ref # 20)	11034-1151	1
NUT (Ref # 21)	92019-008	3
BOLT 6X35 (Ref # 22)	110R0635	2
WASHER PLAIN 6MM (Ref # 23)	410B0600	4
STAND-MAIN (Ref # 24)	34011-1002	1
PIN COTTER 3.0X30 (Ref # 25)	550D3030	1
SHAFT,MAIN STAND (Ref # 26)	34019-015	1
SPRING,MAIN STAND (Ref # 27)	92081-1032	1