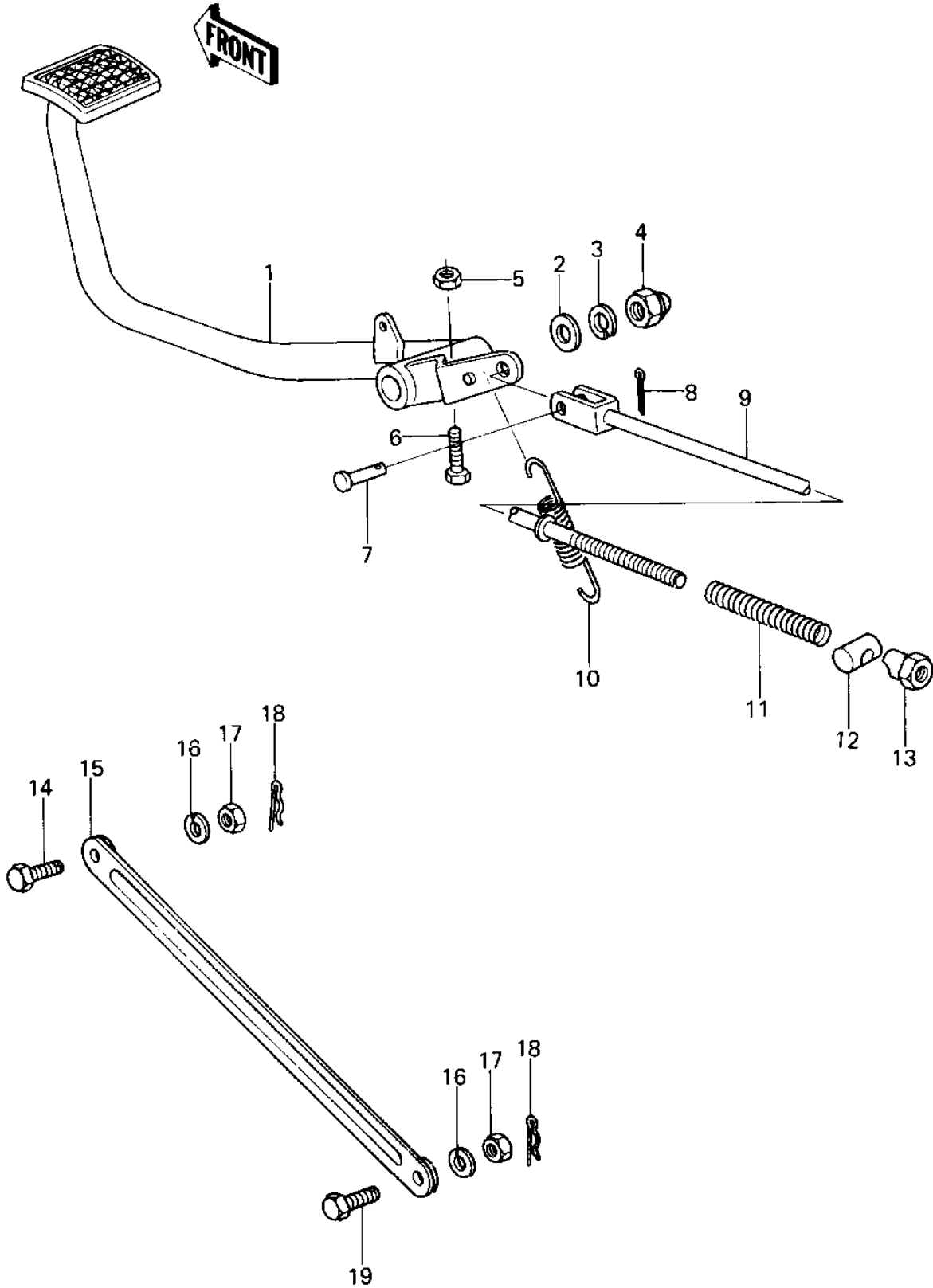


1978 KZ400-B1 PARTS DIAGRAM

BRAKE PEDAL/TORQUE LINK



1978 KZ400-B1 PARTS LIST

BRAKE PEDAL/TORQUE LINK

ITEM NAME	PART NUMBER	QUANTITY
PEDAL,BRAKE (Ref # 1)	43001-1010	1
WASHER,8.5X20X1.6 (Ref # 2)	92022-1561	1
WASHER SPRING 8MM (Ref # 3)	461F0800	1
NUT,CAP AND LOCK,8MM (Ref # 4)	92019-013	1
NUT 6MM (Ref # 5)	311B0600	1
BOLT,HEX HEAD,6X25 (Ref # 6)	92001-1090	1
PIN,BRAKE ROD FITTING (Ref # 7)	92043-090	1
PIN COTTER 2.5X16 (Ref # 8)	550D2516	1
ROD,BRAKE (Ref # 9)	43011-026	1
SPRING,BRAKE PEDAL (Ref # 10)	43005-029	1
SPRING,BRAKE ROD (Ref # 11)	43012-001	1
PIN-BRAKE ROD (Ref # 12)	92043-065	1
NUT-BRAKE ROD ADJUST (Ref # 13)	92015-042	1
BOLT TORQUE LINK FIT (Ref # 14)	92003-017	1
TORQUE LINK REAR BRK (Ref # 15)	43007-016	1
WASHER SPRING 10MM (Ref # 16)	461F1000	2
NUT 10MM (Ref # 17)	315B1000	2
PIN,SNAP (Ref # 18)	554A0800	2
BOLT HEX HEAD 10MM (Ref # 19)	92003-034	1