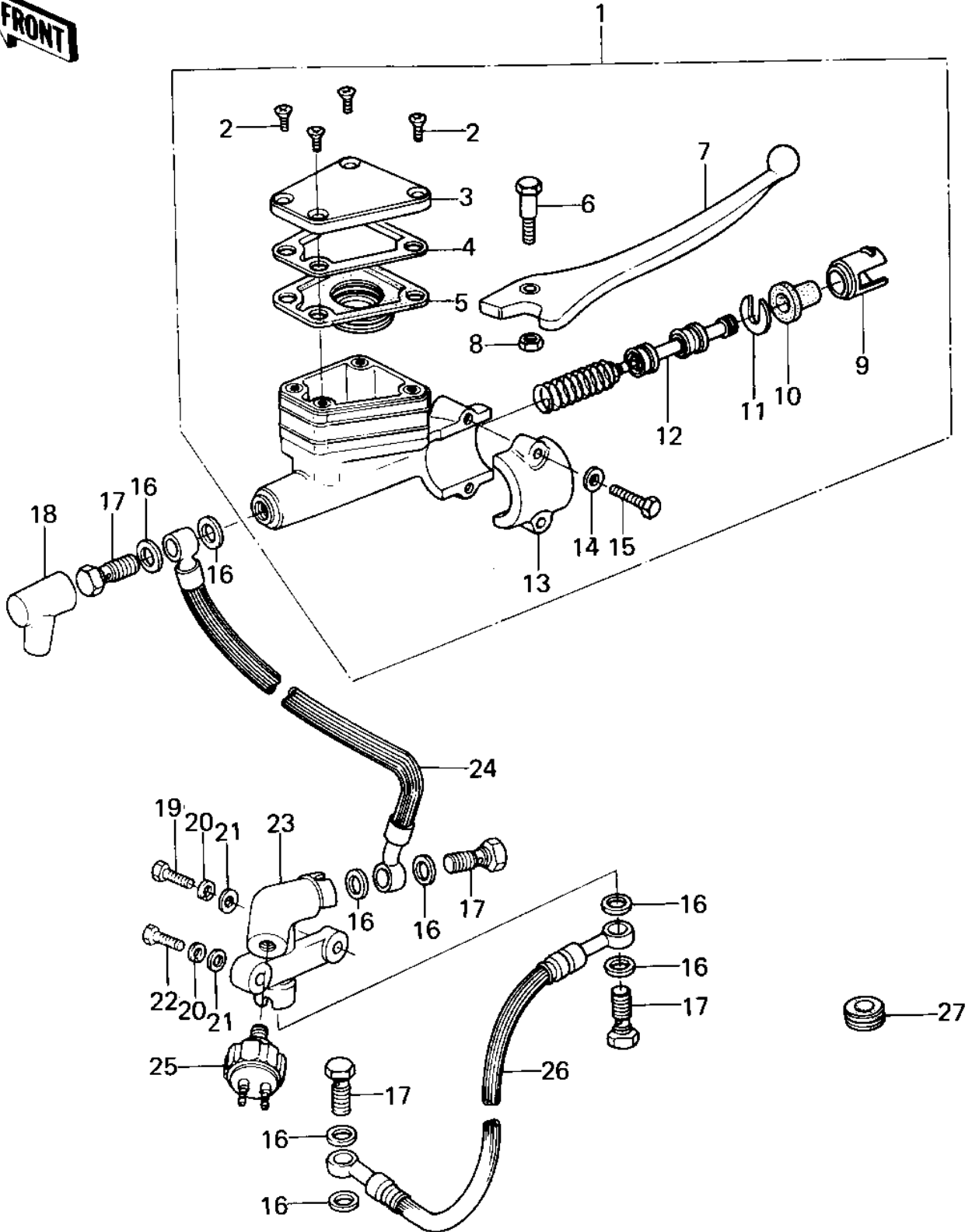


# 1979 KZ400-B2 PARTS DIAGRAM

## FRONT MASTER CYLINDER



# 1979 KZ400-B2 PARTS LIST

## FRONT MASTER CYLINDER

ITEM NAME	PART NUMBER	QUANTITY
CYLINDER ASSY,MASTER (Ref # 1)	43015-1003	
SCREW,COUNTERSUNK HED (Ref # 2)	92001-1055	
CAP,OIL CUP (Ref # 3)	43026-1003	
PLATE,DIAPHRAGM (Ref # 4)	43027-1002	
DIAPHRAGM (Ref # 5)	43028-1002	
BOLT,CLUTCH LEV FITT (Ref # 6)	92001-1056	
LEVER,BRAKE (Ref # 7)	46092-1001	
NUT 6MM (Ref # 8)	312B0600	
LINER,PISTON (Ref # 9)	14008-1007	
DUST COVER (Ref # 10)	49016-1010	
STOPER,PISTON (Ref # 11)	43022-1001	
PISTON-COMP-BRAKE (Ref # 12)	43020-1026	
HOLDER,MASTER CYLINDR (Ref # 13)	43034-1001	
WASHER PLAIN 6MM (Ref # 14)	411B0600	
BOLT HEX HEAD 6X25 (Ref # 15)	110N0625	
WASHER-OIL BOLT (Ref # 16)	43067-001	
BOLT,OIL,L=23 (Ref # 17)	92002-1888	
BOOT,DUST (Ref # 18)	49006-1041	
BOLT 6X22 (Ref # 19)	112B0622	
WASHER SPRING 6MM (Ref # 20)	461F0600	
WASHER PLAIN 6MM (Ref # 21)	411B0600	
BOLT-HEX HEAD,6X32 (Ref # 22)	110N0632	
JOINT,THREE WAY (Ref # 23)	43061-002	
HOSE,BRAKE,M/C (Ref # 24)	43059-1012	
SWITCH-FRONT BRAKE (Ref # 25)	43065-001	
HOSE,BRAKE,CALIPER (Ref # 26)	43059-1003	
DAMPER RUBBER,CYL HSE (Ref # 27)	43064-006	