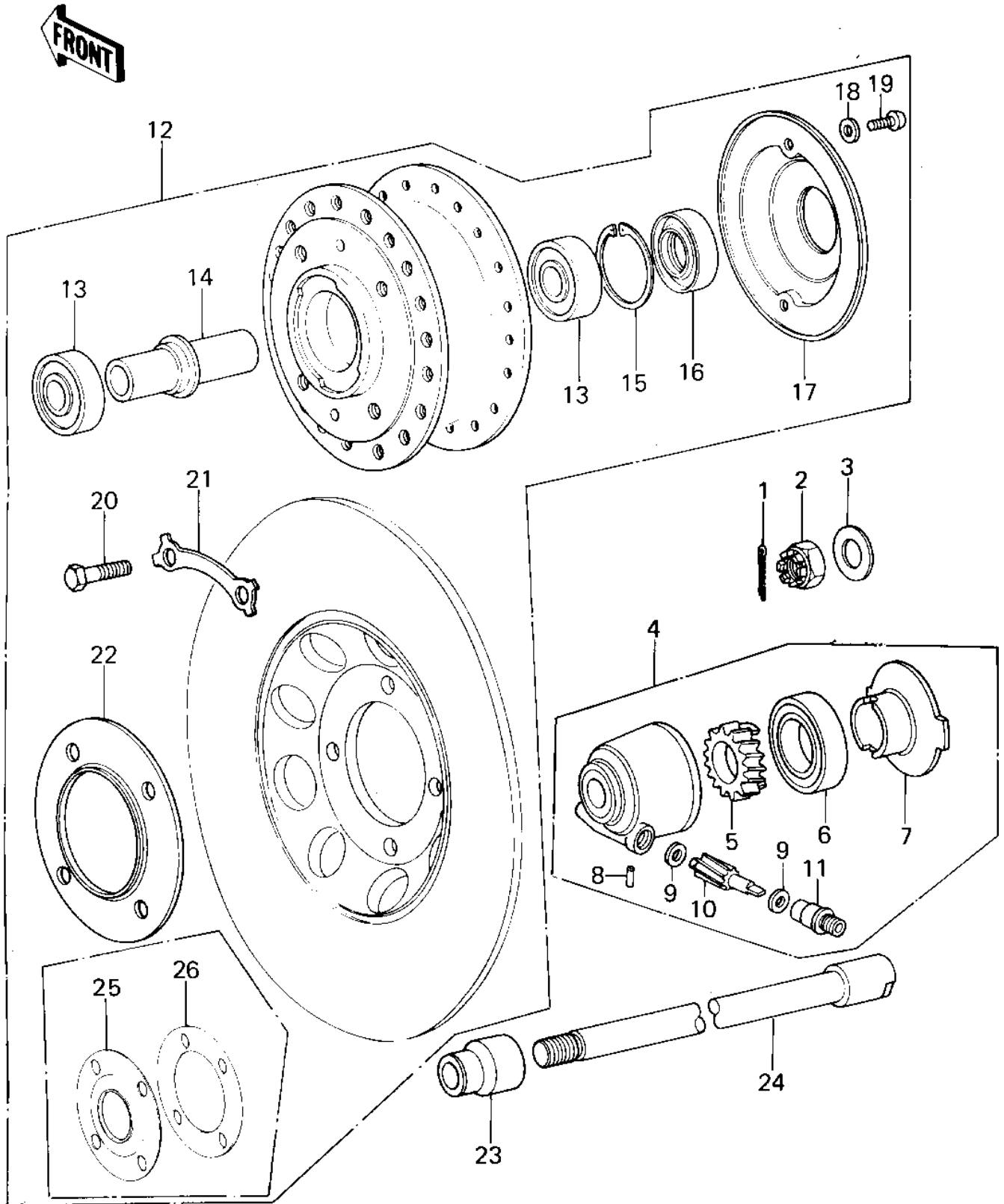


1978 KZ400-B1 PARTS DIAGRAM

FRONT HUB



1978 KZ400-B1 PARTS LIST

FRONT HUB

ITEM NAME	PART NUMBER	QUANTITY
PIN-COTTER,4.0X35 (Ref # 1)	550D4035	1
NUT CASTLE 16M/M (Ref # 2)	42045-014	1
WASHER PLAIN 16MM (Ref # 3)	410B1600	1
GEAR BOX ASSY (Ref # 4)	41078-1004	1
GEAR,SPEEDOMETER (Ref # 5)	41060-1010	1
OIL SEAL,BJN30427-C3 (Ref # 6)	92049-1057	1
RECEIVER,GEAR (Ref # 7)	41064-013	1
PIN,SPRING (Ref # 8)	41082-001	1
WASHER THRST SPD PINI (Ref # 9)	41063-001	2
PINION,SPEEDOMETER (Ref # 10)	41060-017	1
BUSH,SPEEDMETER CABLE (Ref # 11)	41062-005	1
DRUM-ASSY,FR BRK (Ref # 12)	41034-1003	1
BEARING BALL #6203 (Ref # 13)	601B6203	2
COLLAR,BRG (Ref # 14)	41039-028	1
RING, SNAP,43.5M/M (Ref # 15)	92033-1040	1
OIL SEAL (Ref # 16)	654A254008	1
DUST COVER (Ref # 17)	41042-016	1
WASHER PLAIN 5MM (Ref # 18)	411B0500	2
SCREW PAN HEAD 5X12 (Ref # 19)	220B0512A	2
BOLT (Ref # 20)	92001-158	4
WASHER,LOCK (Ref # 21)	92088-023	2
COVER,DUST (Ref # 22)	49016-1001	1
COLLAR,FRONT AXLE (Ref # 23)	92027-1008	1
AXLE,FRONT (Ref # 24)	41068-1002	1
COVER,DUST,HUB (Ref # 25)	49016-1021	1
COVER,DUST,HUB (Ref # 26)	49016-1022	1