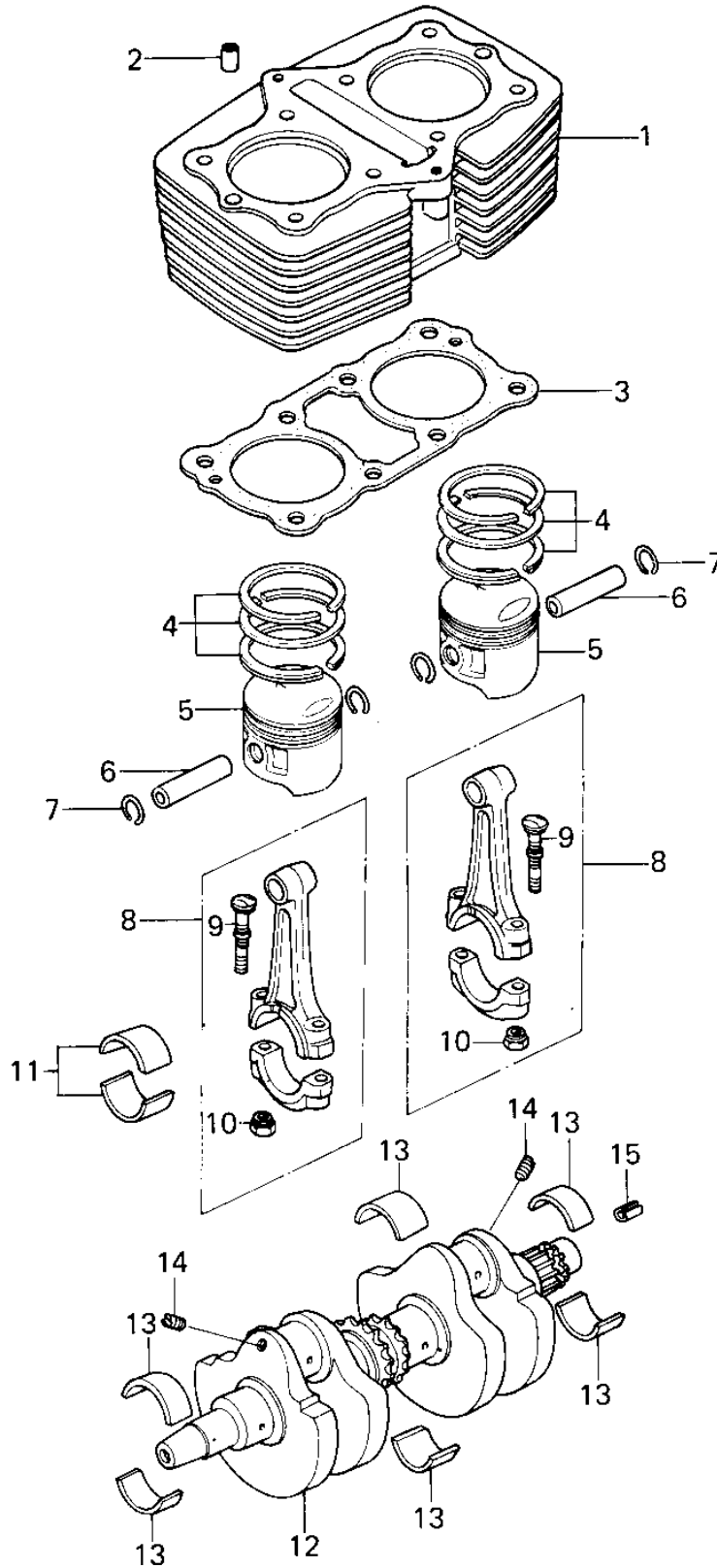


1978 KZ400-C1 PARTS DIAGRAM

CYLINDER/PISTONS/CRANKSHAFT



1978 KZ400-C1 PARTS LIST

CYLINDER/PISTONS/CRANKSHAFT

| ITEM NAME | PART NUMBER | QUANTITY |
|----------------------------------|---------------|----------|
| CYLINDER (Ref # 1) | 11005-1002 | 1 |
| PIN,DOWEL,10X8.2X14 (Ref # 2) | 92043-1037 | 2 |
| GASKET,CYLINDER BASE (Ref # 3) | 11009-1176 | 1 |
| RING SET,PISTON,STD (Ref # 4) | 13008-5019 | 2 |
| RING SET,0.020",O.S. (Ref # 4) | 13025-5010 | (2 |
| RING SET,0.040",O.S. (Ref # 4) | 13024-5010 | (2 |
| PISTON,STD (Ref # 5) | 13001-1001 | 2 |
| PISTON,0.020",O/S (Ref # 5) | 13029-1006 | (2 |
| PISTON,0.040",O/S (Ref # 5) | 13027-1008 | (2 |
| PIN-PISTON (Ref # 6) | 13002-1001 | 2 |
| CIRCLIP PISTON PIN (Ref # 7) | 92036-005 | 4 |
| CONNECTING ROD ASSY,J (Ref # 8) | 13251-1008-JJ | 2 |
| CONNECTING ROD ASSY,J (Ref # 8) | 13251-1008-JJ | 2 |
| CONNECTING ROD ASSY,J (Ref # 8) | 13251-1008-JJ | 2 |
| BOLT,CONNECTING ROD (Ref # 9) | 92001-1793 | 4 |
| NUT,CONNECTING ROD (Ref # 10) | 92016-060 | 4 |
| METAL,CONNECT ROD BRG (Ref # 11) | 13034-050 | 4 |
| METAL,CONNECT ROD BRG (Ref # 11) | 13034-051 | 4 |
| METAL,CONNECT ROD BRG (Ref # 11) | 13034-052 | 4 |
| CRANKSHAFT ASSY (Ref # 12) | 13037-1034 | 1 |
| BUSHING,CRANKSHAFT (Ref # 13) | 92028-1102 | 8 |
| SCREW,SLOTTED,6X8 (Ref # 14) | 291H0608 | 2 |
| PIN-SPRING,4X8 (Ref # 15) | 555A0408 | 1 |