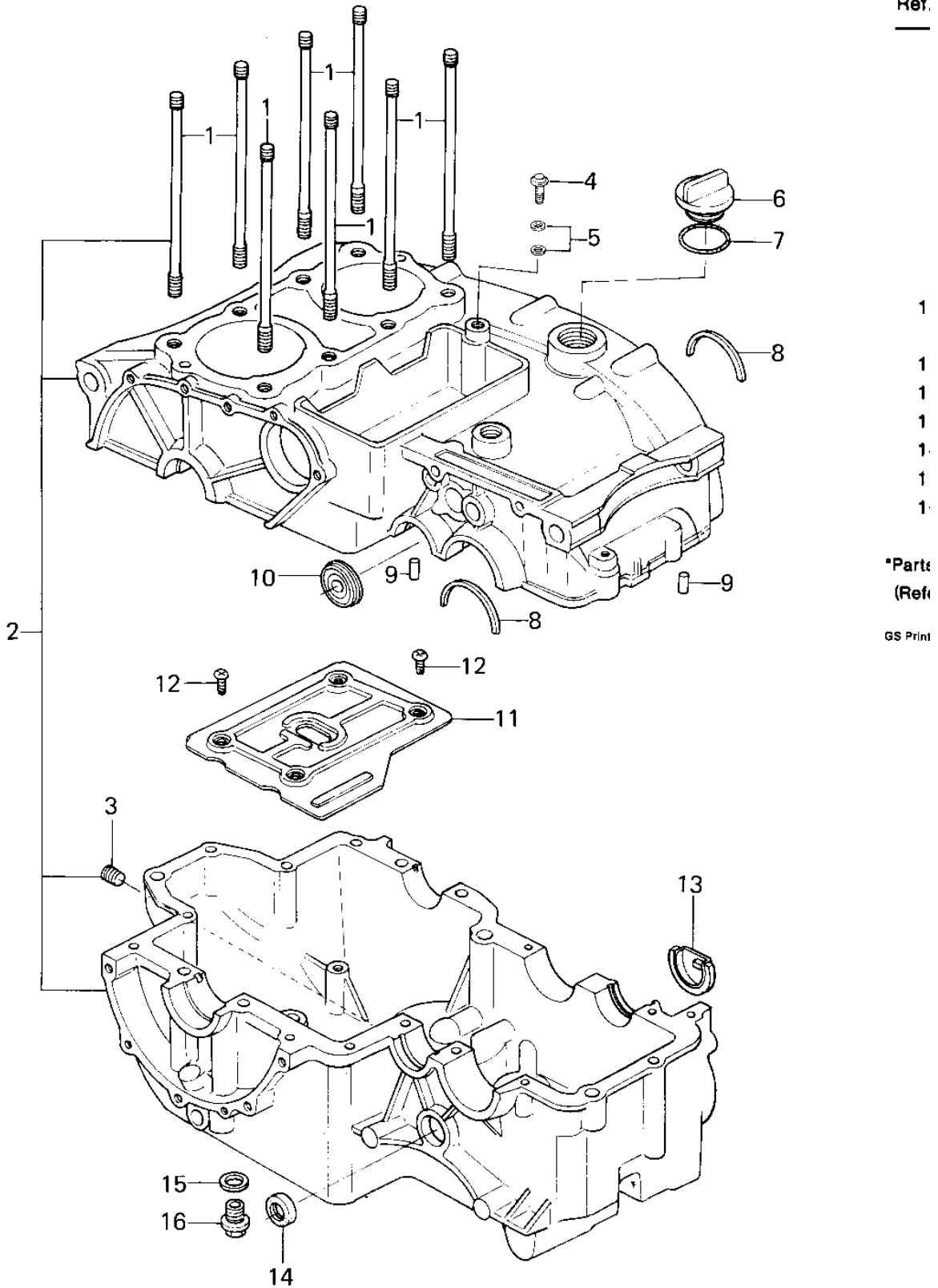


# 1978 KZ400-C1 PARTS DIAGRAM

## CRANKCASE



Ref.

- 1
- 1
- 1
- 1
- 1
- 1
- 1

\*Parts (Ref)

GS Print

# 1978 KZ400-C1 PARTS LIST

## CRANKCASE

ITEM NAME	PART NUMBER	QUANTITY
STUD,10X153 (Ref # 1*)	92004-062	1
STUD,10X153 (Ref # 1*)	92004-062	1
CRANKCASE SET (Ref # 2*)	14001-5010	1
CRANKCASE SET (Ref # 2*)	14001-5010	1
PLUG,OIL SWITCH (Ref # 3*)	92066-059	1
PLUG,OIL SWITCH (Ref # 3*)	92066-059	1
BOLT,BANJO,10X25 (Ref # 4)	92001-1017	1
GASKET,10X14.5X1.5 (Ref # 5)	11009-1105	2
PLUG,OIL FILLER (Ref # 6)	16115-013	1
"O" RING,31MM (Ref # 7)	92055-049	1
RING BEARING SETTING (Ref # 8)	14013-004	2
PIN DOWEL 6MM (Ref # 9)	92042-016	2
OIL SEAL,PUSH ROD (Ref # 10)	92050-068	1
OIL SEAL,PUSH ROD (Ref # 10)	92049-1041	1
PLATE,CRANKCASE (Ref # 11)	13169-1103	1
SCREW PAN HEAD 6X12 (Ref # 12)	220B0612	4
RECEIVER,OIL (Ref # 13)	13045-1001	1
OIL SEAL,TB13225.5 (Ref # 14)	92051-005	1
GASKET,DRIN PLUG (Ref # 15)	92065-097	1
PLUG,OIL DRAIN,12X15 (Ref # 16)	92066-1174	1