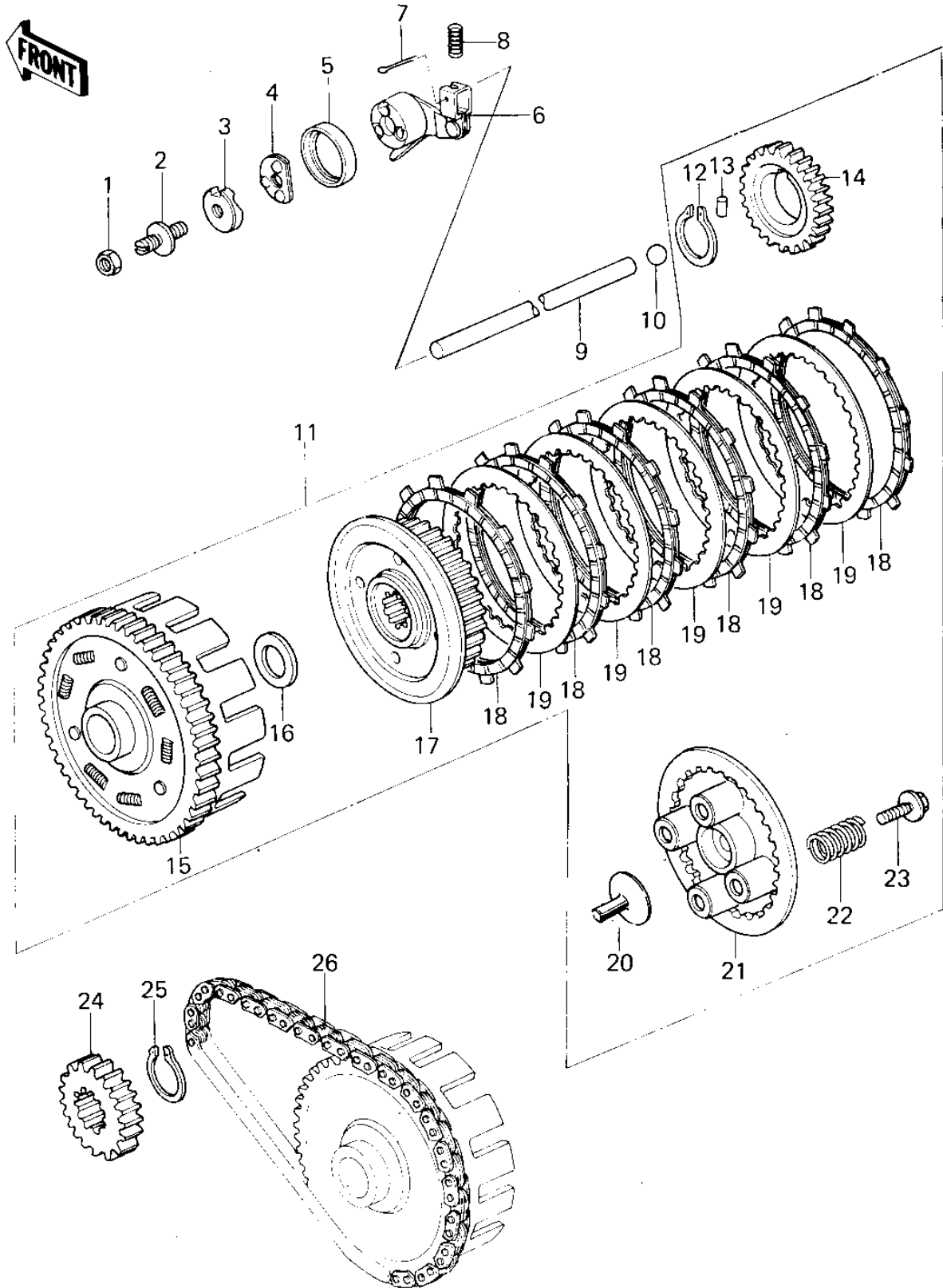


1978 KZ400-C1 PARTS DIAGRAM

CLUTCH



1978 KZ400-C1 PARTS LIST

CLUTCH

ITEM NAME	PART NUMBER	QUANTITY
NUT 8MM (Ref # 1)	318B0800	1
SCREW,SLOTTED,8M/M (Ref # 2)	92009-1009	1
CAM,RELEASE,CLUTCH (Ref # 3)	13119-1003	1
BEARING,BALL,CLUTCH (Ref # 4)	92045-1001	1
OIL SEAL,CLUTCH RELES (Ref # 5)	92049-1003	1
RELEASE, CLUTCH (Ref # 6)	13102-1004	1
PIN COTTER 1.6X15 (Ref # 7)	550D1615	1
SPRING,CLUTCH RETURN (Ref # 8)	92081-1058	1
ROD,PUSH,CLUTCH (Ref # 9)	13116-1017	1
BALL STEEL 3/8' (Ref # 10)	600A1200	1
CLUTCH-ASSY (Ref # 11)	13081-1019	1
CLUTCH-ASSY (Ref # 11)	13081-1019	1
CIRCLIP, 38MM (Ref # 12)	480J3800	1
PIN, DOWELL, 6X6 (Ref # 13)	610A0606	1
GEAR,OIL PUMP,34T (Ref # 14)	59051-1001	1
HOUSING,CLUTCH (Ref # 15)	13095-1008	1
WASHER,CLUTCH THRUST (Ref # 16)	92022-288	1
HUB,CLUTCH (Ref # 17)	13087-040	1
PLATE,FRICTION (Ref # 18)	13088-1001	6
PLATE,CLUTCH STEEL (Ref # 19)	13089-026	5
PUSHER,CLTCH SPRG PLT (Ref # 20)	13116-029	1
PLATE,CLUTCH SPRING (Ref # 21)	13187-1003	1
SPRING,CLUTCH (Ref # 22)	92081-1033	4
BOLT,CLUTCH SPR FITT (Ref # 23)	92001-1066	4
SPROCKET,PRIMARY (Ref # 24)	13121-030	1
CIRCLIP,30MM (Ref # 25)	480J3000	1
CHAIN,PRIMARY DRIVE (Ref # 26)	13122-005	1