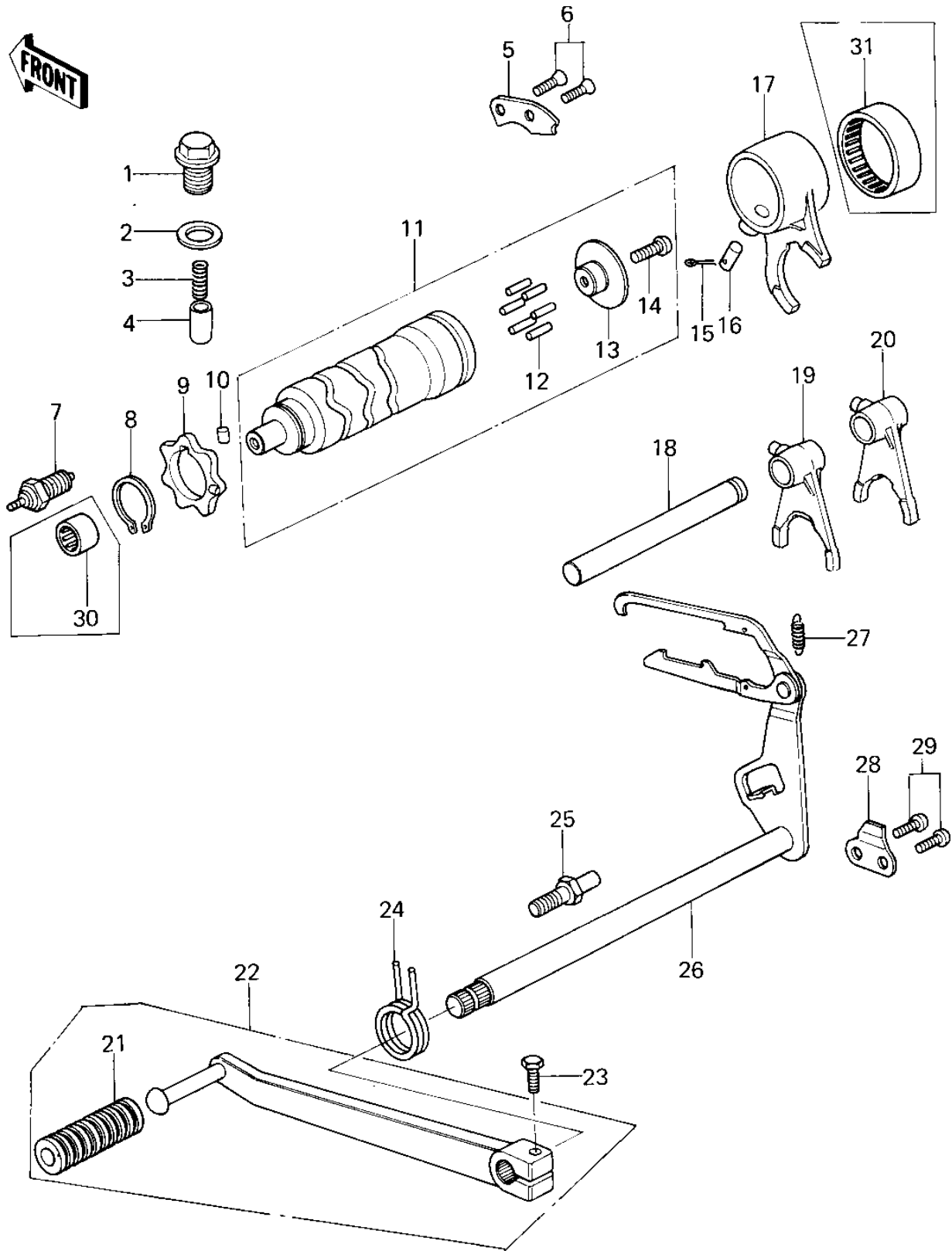


# 1978 KZ400-C1 PARTS DIAGRAM

## GEAR CHANGE MECHANISM



# 1978 KZ400-C1 PARTS LIST

## GEAR CHANGE MECHANISM

ITEM NAME	PART NUMBER	QUANTITY
BOLT,NEUTRAL POSITION (Ref # 1)	92001-1037	1
GASKET,15.5X22X1 (Ref # 2)	11009-1008	1
SPRING (Ref # 3)	92081-112	1
PIN-NEUTRAL POSITION (Ref # 4)	92043-076	1
PLATE,SIFT DRM POSITN (Ref # 5)	14014-1001	1
SCREW,CSK,6X16 (Ref # 6)	92009-1007	2
SWITCH,NEUTRAL (Ref # 7)	13151-5002	1
CIRCLIP,30MM (Ref # 8)	480J3000	1
CAM-CHANGE DRUM (Ref # 9)	13145-1058	1
PIN-DOWEL,4X6 (Ref # 10)	610A0406	1
DRUM ASSY,CHANGE (Ref # 11)	13239-1001	1
DRUM ASSY,CHANGE (Ref # 11)	13239-1012	1
PIN GEAR CHANGE DRUM (Ref # 12)	92042-014	6
PLATE,SHIFT DRUM PIN (Ref # 13)	13142-016	1
SCREW PAN HEAD 6X14 (Ref # 14)	220B0614	1
PIN COTTER 3.0X20 (Ref # 15)	550D3020	1
DOWEL PIN,8X18 (Ref # 16)	92042-021	1
FORK,SHIFT,4TH&TOP (Ref # 17)	13140-1002	1
ROD,SHIFT (Ref # 18)	13209-022	1
FORK,SHIFT,LOW (Ref # 19)	13140-1001	1
SHIFT FORK,2ND 3RD (Ref # 20)	13140-067	1
RUBBER CHANGE PEDAL (Ref # 21)	13157-004	1
PEDAL ASSY,GEAR SHIFT (Ref # 22)	13242-017	1
BOLT-UPSET,6X20 (Ref # 23)	112G0620	1
SPRING,CHG PEDL RTN (Ref # 24)	92083-021	1
BOLT,RETURN SPRING (Ref # 25)	92001-1401	1
LEVER COMP,CHNG SHAFT (Ref # 26)	13161-1001	1
SPRING-CHANGE LEVER (Ref # 27)	92081-076	1
PLATE,GEAR SHIFT LEV (Ref # 28)	13169-011	1

# 1978 KZ400-C1 PARTS LIST

## GEAR CHANGE MECHANISM

ITEM NAME	PART NUMBER	QUANTITY
SCREW PAN HEAD 6X16 (Ref # 29)	220B0616	2
BEARING,NEEDLE,HK1210 (Ref # 30)	92046-1010	1
BRG,NEDL,37BTM4312 (Ref # 31)	92046-051	1