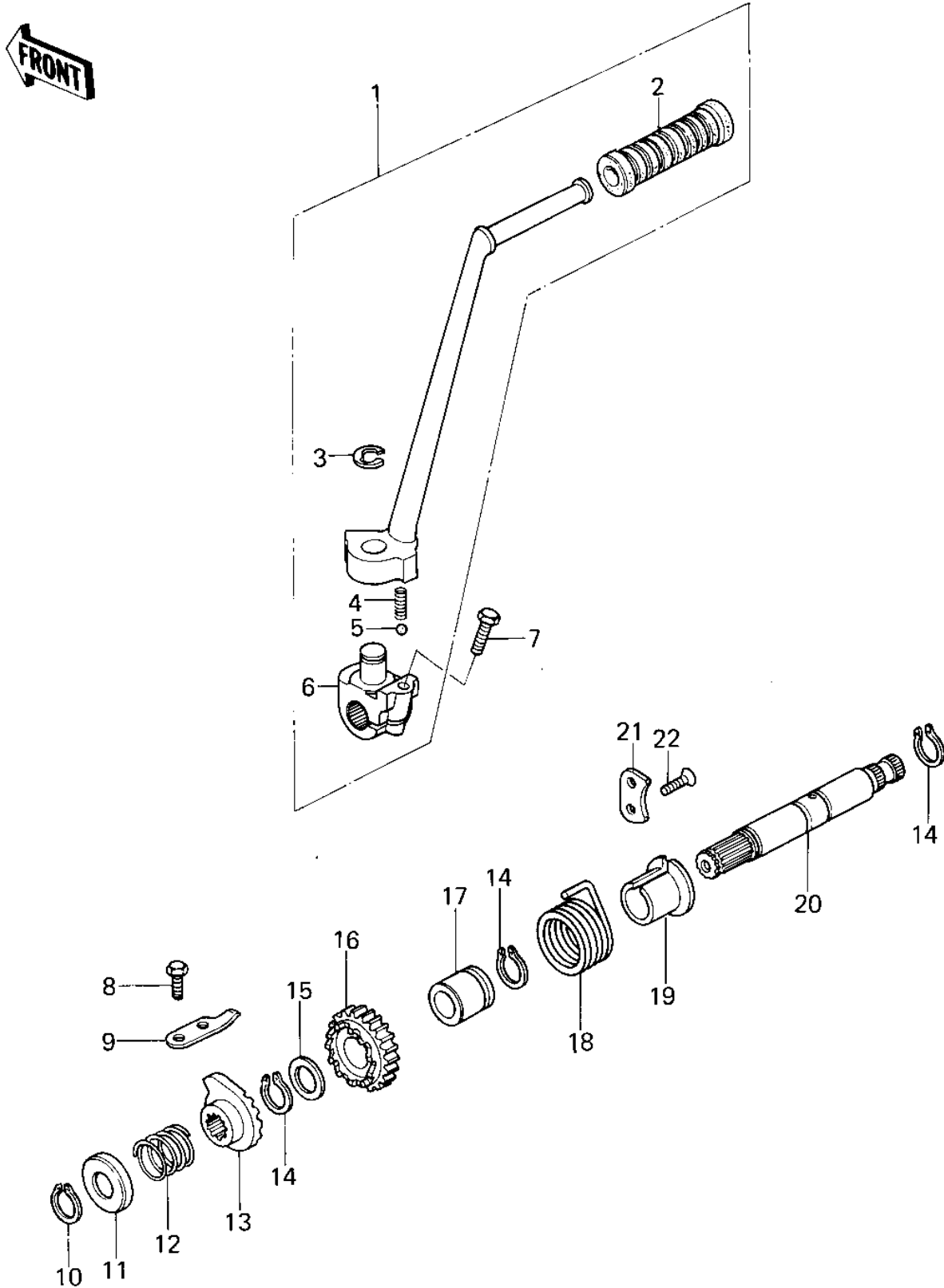


1978 KZ400-C1 PARTS DIAGRAM

KICKSTARTER MECHANISM



1978 KZ400-C1 PARTS LIST

KICKSTARTER MECHANISM

| ITEM NAME | PART NUMBER | QUANTITY |
|----------------------------------|-------------|----------|
| PEDAL ASSY,KICK (Ref # 1) | 13064-1002 | 1 |
| RUBBER KICK PEDAL (Ref # 2) | 13063-004 | 1 |
| CIRCLIP 9MM (Ref # 3) | 482K9000 | 1 |
| SPRING KICK PEDAL (Ref # 4) | 92081-020 | 1 |
| BALL STEEL 1/4' (Ref # 5) | 600A0800 | 1 |
| BOSS,KICK PEDAL (Ref # 6) | 13061-1001 | 1 |
| BOLT,FLANGED,8X35 (Ref # 7) | 92001-1577 | 1 |
| BOLT-UPSET (Ref # 8) | 112G0614 | 2 |
| STOPPER,KICKSTARTER (Ref # 9) | 13072-012 | 1 |
| CIRCLIP,19MM (Ref # 10) | 480J1900 | 1 |
| CAP,KICKSTARTER (Ref # 11) | 92102-008 | 1 |
| SPRING RATCHET (Ref # 12) | 92081-104 | 1 |
| RATCHET,KICK SHAFT (Ref # 13) | 13078-011 | 1 |
| CIRCLIP, 20MM (Ref # 14) | 480J2000 | 3 |
| WASHER THRUST (Ref # 15) | 92022-112 | 1 |
| GEAR,KICK,23T (Ref # 16) | 59051-1002 | 1 |
| BUSHING,KICK SHAFT (Ref # 17) | 92028-175 | 1 |
| SPRING,KICK RETURN (Ref # 18) | 92082-006 | 1 |
| GUIDE,KICK SPRING (Ref # 19) | 13070-009 | 1 |
| SHAFT,KICK (Ref # 20) | 13066-1001 | 1 |
| PLATE-DRUM LEV POSTON (Ref # 21) | 13169-007 | 1 |
| SCREW CNTSNK HD 6X16 (Ref # 22) | 221B0616 | 2 |