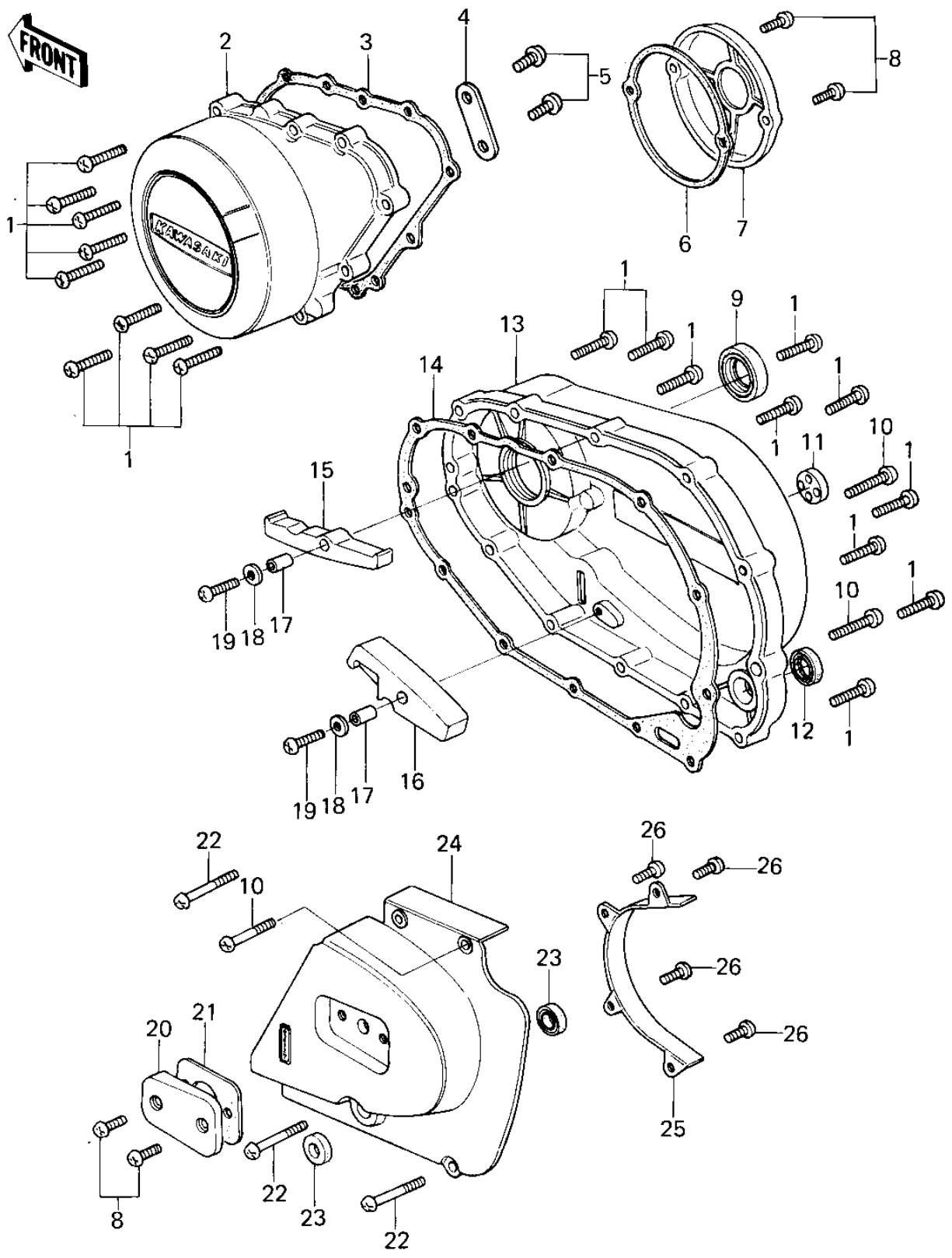


1978 KZ400-C1 PARTS DIAGRAM

ENGINE COVERS



1978 KZ400-C1 PARTS LIST

ENGINE COVERS

ITEM NAME	PART NUMBER	QUANTITY
SCREW PAN HEAD 6X30 (Ref # 1)	220B0630	19
COVER, DYNAMO (Ref # 2)	14031-1001-80	1
GASKET,GENERATER COV. (Ref # 3)	11009-1032	1
PLATE,DYNAMO LEAD (Ref # 4)	13169-1080	1
SCREW PAN HEAD 5X8 (Ref # 5)	220B0508	2
GASKET,BREAKER COVER (Ref # 6)	14050-010	1
COVERBRK POINT,BUFF (Ref # 7)	14027-019-80	1
SCREW PAN HEAD 6X18 (Ref # 8)	220B0618	4
OIL SEAL,R.H CRNKSFT (Ref # 9)	92050-065	1
SCREW PAN HEAD 6X40 (Ref # 10)	220B0640	3
GAUGE,OIL LEVEL (Ref # 11)	52015-004	1
OIL SEAL SB20285 (Ref # 12)	92049-012	1
COVER,CLUTCH,BUFF (Ref # 13)	14032-1013	1
GASKET,CLUTCH COVER (Ref # 14)	11009-1033	1
GUIDE,PRIMARY CHAIN (Ref # 15)	12053-1004	1
GUIDE,PRIMARY CHAIN (Ref # 16)	12053-1005	1
COLLAR,8X15 (Ref # 17)	92027-1079	2
WASHER PLAIN 6MM (Ref # 18)	410B0600	2
SCREW PAN HEAD 6X25 (Ref # 19)	220B0625	2
COVER,CLUTCH ADJUSTNG (Ref # 20)	14028-006-80	1
GASKET,CLUTCH ADJ CAP (Ref # 21)	14049-004	1
SCREW PAN HEAD 6X50 (Ref # 22)	220B0650	3
OIL SEAL,TB13225.5 (Ref # 23)	92051-005	2
COVER,CHAIN (Ref # 24)	14026-1001-80	1
GUIDE,CHAIN (Ref # 25)	12053-1009	1
SCREW PAN HEAD 6X10 (Ref # 26)	220B0610	4