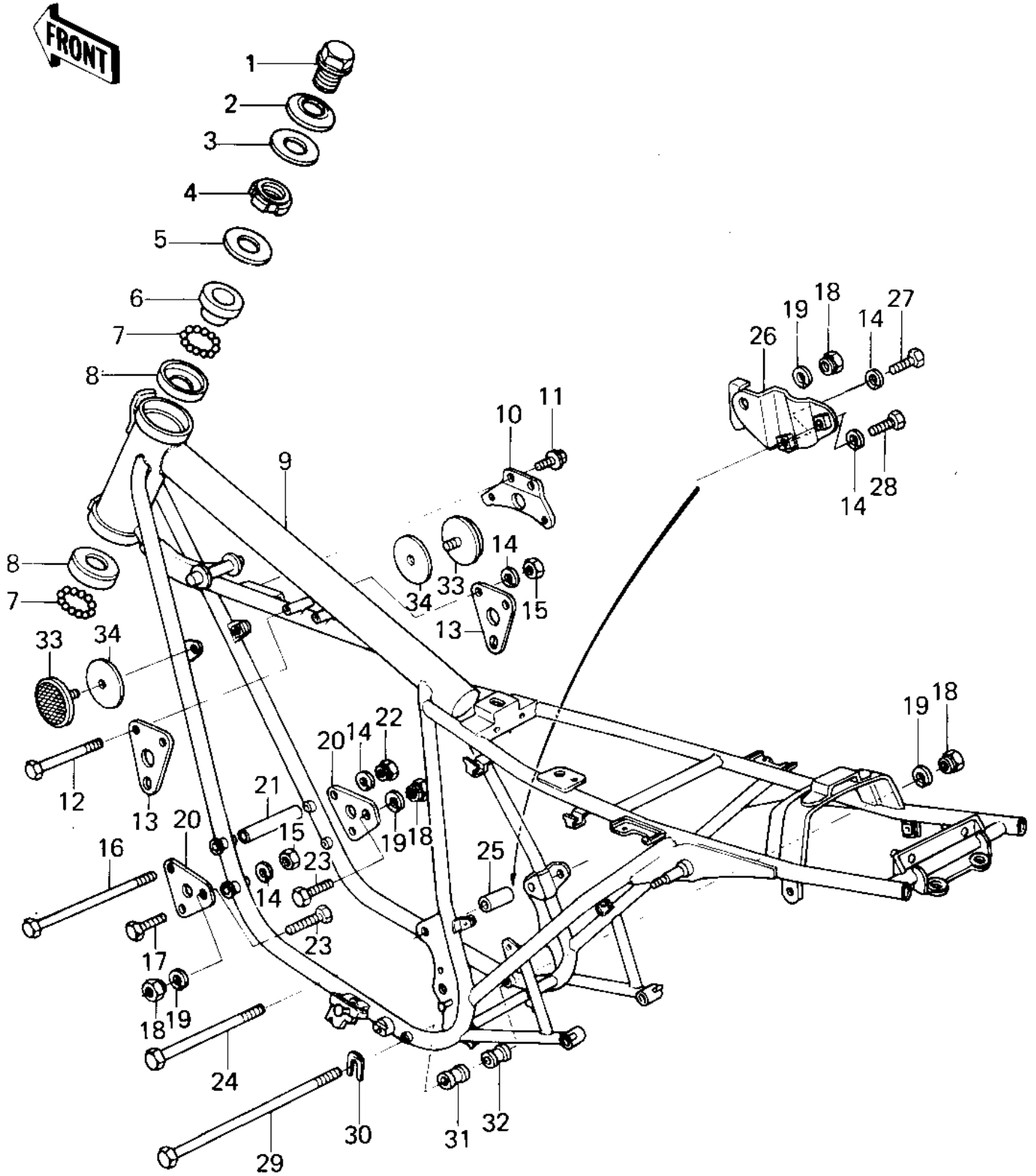


# 1978 KZ400-C1 PARTS DIAGRAM

## FRAME/FRAME FITTINGS



# 1978 KZ400-C1 PARTS LIST

## FRAME/FRAME FITTINGS

ITEM NAME	PART NUMBER	QUANTITY
BOLT,STEERG STEM HEAD (Ref # 1)	92007-031	1
WASHER,STEERG STM HD (Ref # 2)	92022-230	1
WASHER,WAVE (Ref # 3)	46100-003	1
NUT STEERING STEM LCK (Ref # 4)	92090-007	1
CAP, STEERING STEM (Ref # 5)	46098-016	1
CONE STRNG STEM BERNG (Ref # 6)	92047-006	1
BALL STEEL 1/4' (Ref # 7)	600A0800	38
RACE STRNG STEM BERNG (Ref # 8)	92048-006	2
FRAME-COMP (Ref # 9)	32002-1260	1
BRACKET,IGNITON COIL (Ref # 10)	32058-049	1
BOLT,SPROCKET FITTING (Ref # 11)	92003-208	2
BOLT,8X55 (Ref # 12)	92001-1386	3
BRACKET,ENGINE (Ref # 13)	32029-1016	2
WASHER SPRING 8MM (Ref # 14)	461F0800	8
NUT,8MM (Ref # 15)	311B0800	5
BOLT,HEX HEAD,8X253 (Ref # 16)	92003-171	1
BOLT,HEX HEAD,8X59 (Ref # 17)	110G0859	2
NUT,LOCK,10MM (Ref # 18)	92019-021	4
WASHER SPRING 10MM (Ref # 19)	461F1000	4
PLATE,ENG MOUNT,FRNT (Ref # 20)	32030-044	2
COLLAR,ENG PLAT,FRNT (Ref # 21)	92027-233	1
NUT,LOCK,8MM (Ref # 22)	92017-013	1
BOLT,HEX HEAD,10X50 (Ref # 23)	92001-1254	2
BOLT FLANGED 10X220 (Ref # 24)	92002-1197	1
COLLAR,ENG MOUNT UPPE (Ref # 25)	92027-228	1
PLATE,ENG MOUNT,REAR (Ref # 26)	32030-034	1
BOLT-SMALL-UPSET 8X25 (Ref # 27)	115G0825	1
BOLT,8X20 (Ref # 28)	115G0820	1
BOLT,HEX HEAD,10X292 (Ref # 29)	92003-162	1

## 1978 KZ400-C1 PARTS LIST

### FRAME/FRAME FITTINGS

ITEM NAME	PART NUMBER	QUANTITY
SHIM-ENG FIT FR,0.5MM (Ref # 30)	92025-053	AR
SHIM-ENG FIT FR,0.8MM (Ref # 30)	92025-054	AR
SHIM-ENG FIT FR,1.0MM (Ref # 30)	92025-055	AR
SHIM-ENG FIT FR,1.6MM (Ref # 30)	92025-056	AR
SHIM-ENG FIT FR,2.0MM (Ref # 30)	92025-057	AR
SHIM-ENG FIT FR,2.3MM (Ref # 30)	92025-058	AR
COLLAR,ENG MOUNTING (Ref # 31)	92027-160	1
COLLAR (Ref # 32)	92027-250	AR
REFLECTOR,REFLEX,REAR (Ref # 33)	28012-009	2
DAMPER RUBBER,REFLECT (Ref # 34)	92094-011	2