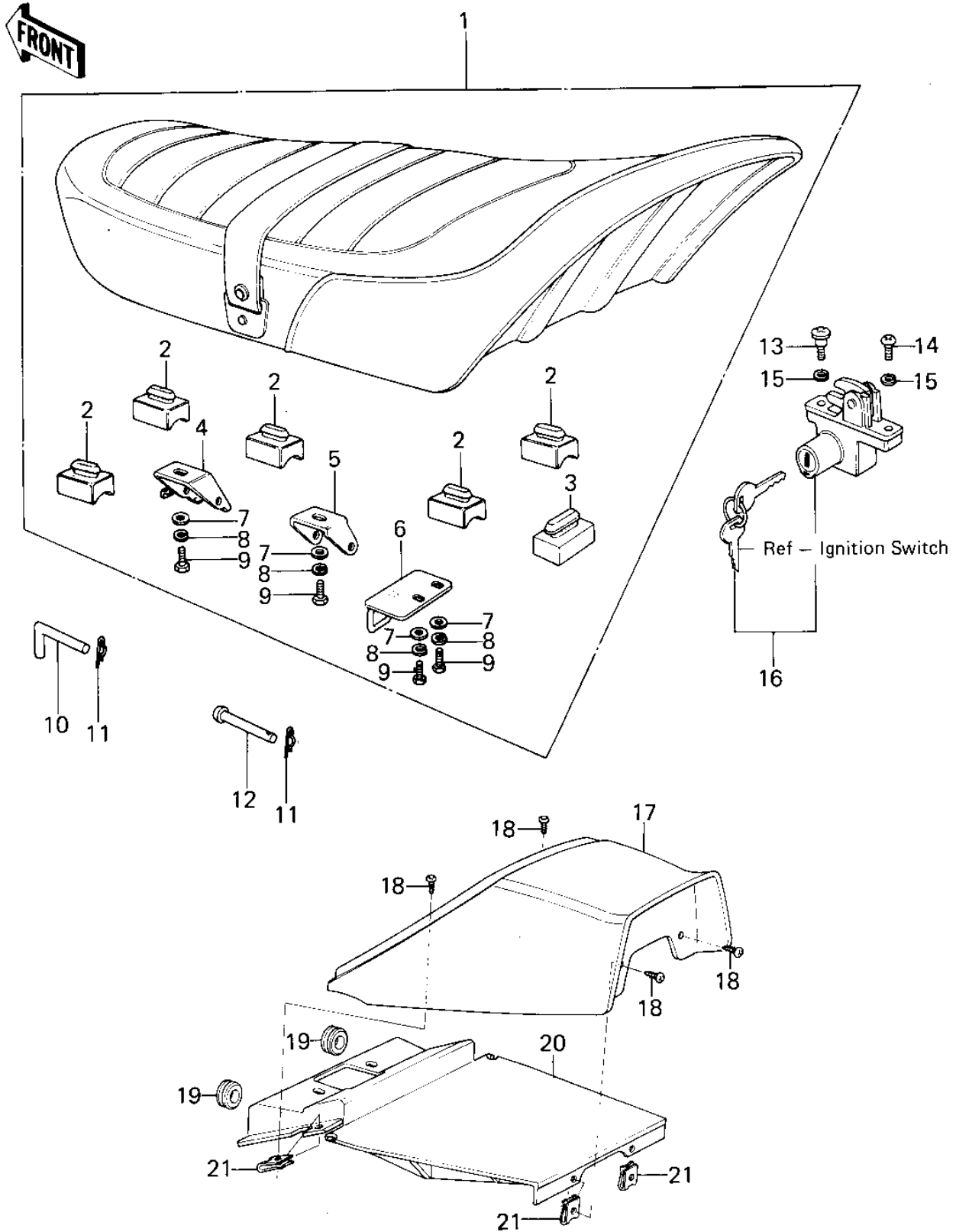


1978 KZ400-C1 PARTS DIAGRAM

SEAT/SEAT COVER



1978 KZ400-C1 PARTS LIST

SEAT/SEAT COVER

ITEM NAME	PART NUMBER	QUANTITY
SEAT-ASSY,DUAL (Ref # 1)	53001-1032	1
DAMPER RUBBER-SEAT (Ref # 2)	92075-156	5
DAMPER RUBBER (Ref # 3)	92075-099	1
HINGE,SEAT (Ref # 4)	53009-1007	1
HINGE, REAR (Ref # 5)	53009-026	1
HOOK,SEAT (Ref # 6)	53008-024	1
WASHER PLAIN 6MM (Ref # 7)	411B0600	4
WASHER SPRING 6MM (Ref # 8)	461F0600	4
BOLT-UPSET 6X14 (Ref # 9)	112B0614	4
PIN,SEAT PIVOT (Ref # 10)	92043-1064	1
COTTER PIN (Ref # 11)	92041-003	2
PIN, DUAL SEAT PIVOT (Ref # 12)	53011-006	1
BOLT,HELMET HOOK,6MM (Ref # 13)	92001-1021	1
SCREW PAN HEAD 6X14 (Ref # 14)	220B0614	1
WASHER SPRING 6MM (Ref # 15)	461F0600	2
LOCK ASSY,SEAT HELMET (Ref # 16)	27016-5028	1
COVER,SEAT,L.COPPER (Ref # 17)	14025-1008-A2	1
SCREW,SEAT COVER FITT (Ref # 18)	92008-010	4
DAMPER (Ref # 19)	92075-1057	2
PLATE,SEAT COVER (Ref # 20)	13169-1026	1
NUT,SEAT COVER (Ref # 21)	92018-006	4