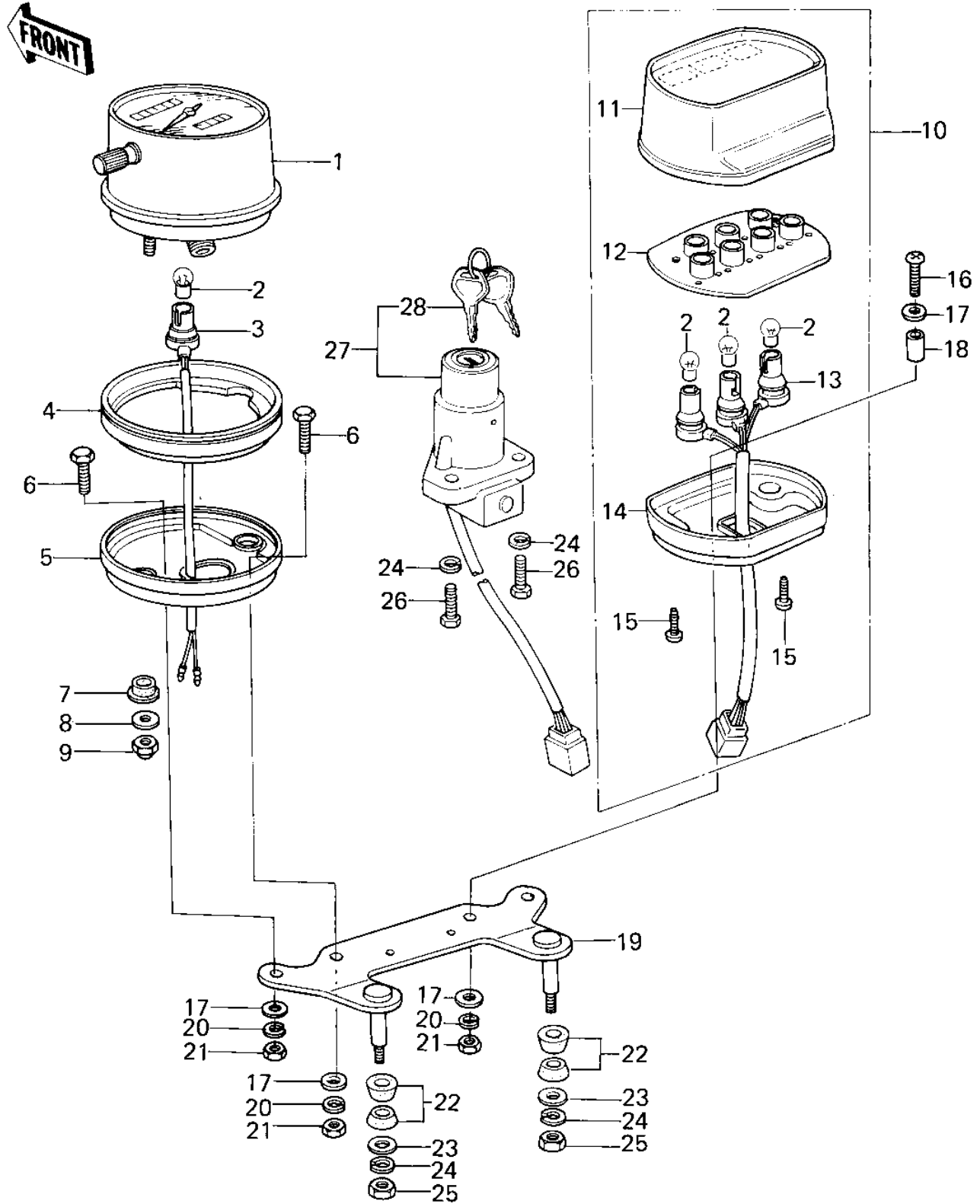


1978 KZ400-C1 PARTS DIAGRAM

METERS/IGNITION SWITCH

Re



101B-

1978 KZ400-C1 PARTS LIST

METERS/IGNITION SWITCH

ITEM NAME	PART NUMBER	QUANTITY
SPEEDOMETER ASSY,MPH (Ref # 1)	25006-061	1
SPEEDOMETER,ASSY,KPH (Canada) (Ref # 1)	25005-1020	1
BULB 12V 3W (Ref # 2)	92069-018	4
SOCKET,SPEEDOMETER (Ref # 3)	23008-1006	1
SHOCK DAMPER,SPEEDMET (Ref # 4)	25019-031	1
COVER,METER (Ref # 5)	25012-025	1
BOLT,HEX HEAD,6X14 (Ref # 6)	92003-204	2
DAMPER RUBBER-METER (Ref # 7)	25019-013	2
WASHER PLAIN 5MM (Ref # 8)	411B0500	2
NUT,5MM (Ref # 9)	92015-059	2
LAMP ASSY,PILOT (Ref # 10)	23016-1011	1
COVER,PILOT LAMP,UPPR (Ref # 11)	25023-1003	1
PLATE,PILOT LAMP (Ref # 12)	13169-1082	1
SOCKET,PILOT LAMP (Ref # 13)	23008-1019	1
COVER,PILOT LAMP,LOW (Ref # 14)	14025-1028	1
SCREW,TAPPING,3.5X16 (Ref # 15)	92009-1027	2
SCREW PAN HEAD 6X25 (Ref # 16)	220B0625	1
WASHER PLAIN 6MM (Ref # 17)	411B0600	4
COLLAR,PILOT LAMP (Ref # 18)	92027-1074	1
BRACKET,METER (Ref # 19)	25008-1007	1
WASHER SPRING 6MM (Ref # 20)	461F0600	3
NUT 6MM (Ref # 21)	311B0600	3
DAMPER RUBBER,METER (Ref # 22)	92075-248	4
WASHER 6.5X22X1.6T (Ref # 23)	92022-237	2
WASHER SPRING 6MM (Ref # 24)	461F0600	4
NUT 6MM (Ref # 25)	311B0600	2
BOLT-UPSET,6X16 (Ref # 26)	112G0616	2
SWITCH ASSY,IGNITION (Ref # 27)	27005-1031	1
KEY SET,#N01 (Ref # 28)	27008-1003-01	AR

1978 KZ400-C1 PARTS LIST

METERS/IGNITION SWITCH

ITEM NAME	PART NUMBER	QUANTITY
KEY SET,#N35 (Ref # 28)	27008-1003-35	AR
KEY,BLANK (Ref # 28)	27008-1028	AR
KEY,BLANK (Ref # 28)	27008-1029	AR
KEY,BLANK (Ref # 28)	27008-1034	AR
KEY,BLANK (Ref # 28)	27008-1035	AR