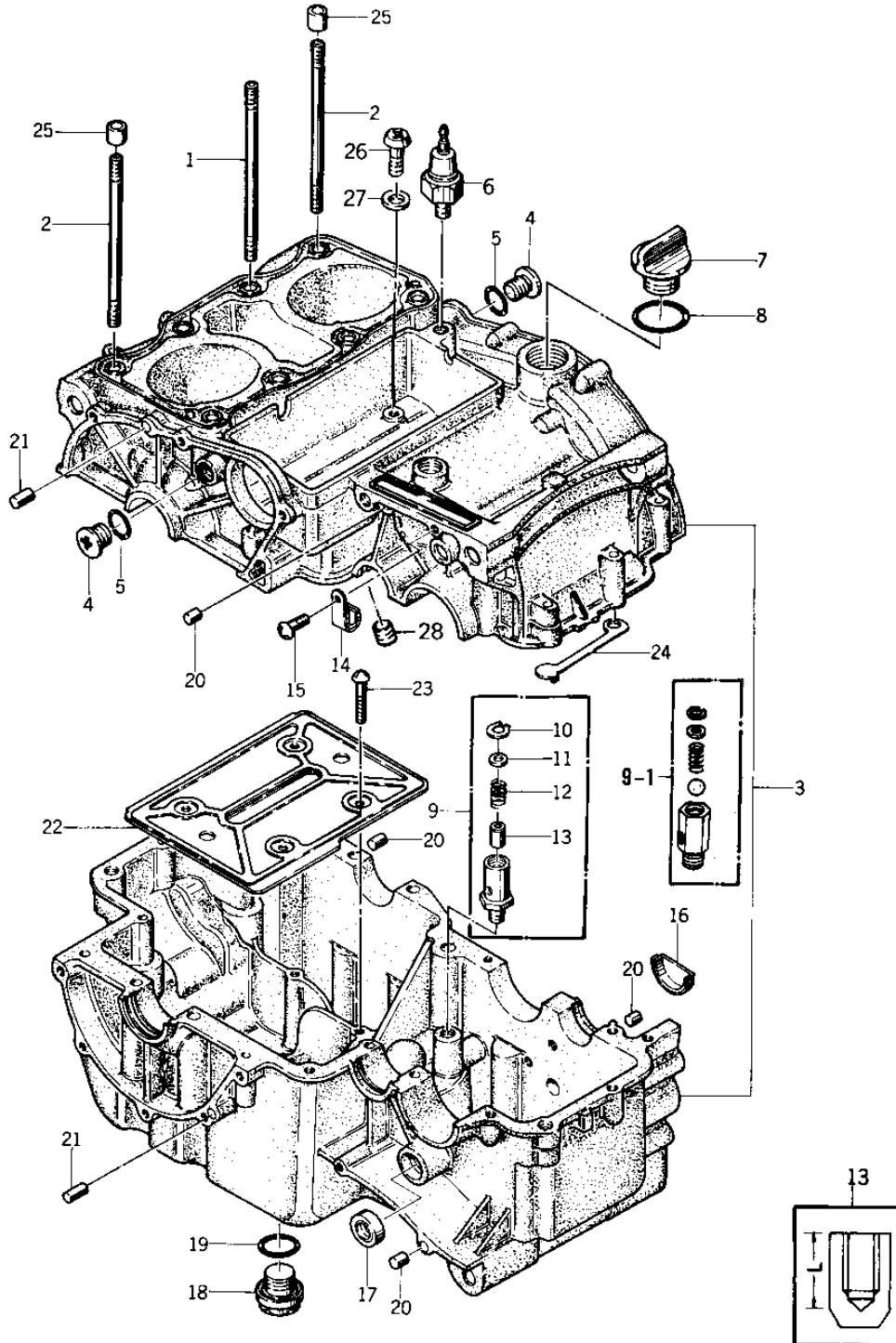


# 1975 KZ400-D PARTS DIAGRAM

CRANKCASE ('74 -'75 KZ400/KZ400D)



# 1975 KZ400-D PARTS LIST

CRANKCASE ('74 -'75 KZ400/KZ400D)

ITEM NAME	PART NUMBER	QUANTITY
.STUD,8X201 (Ref # 1)	92004-052	6
.STUD,8X210 (Ref # 2)	92004-053	2
CRANKCASE SET (Ref # 3)	14001-102	1
CRANKCASE SET (Ref # 3)	14001-102	1
CRANKCASE SET (Ref # 3)	14001-102	1
.PLUG (Ref # 4)	92066-067	2
PLUG (Ref # 4)	92066-067	2
."O" RING,13.5MM (Ref # 5)	92055-073	2
SWITCH,OIL PRESSURE (Ref # 6)	27010-1157	1
PLUG,OIL FILLER (Ref # 7)	16115-013	1
"O" RING,31MM (Ref # 8)	92055-049	1
RELEAF VALVE ASSY (Ref # 9)	16130-1001	1
RELEAF VALVE ASSY (Ref # 9)	16130-1001	1
RELEAF VALVE ASSY (Ref # 9-1)	16130-1001	1
CIRCLIP, 12MM (Ref # 10)	481J1200	1
SPACER,RELEAF VALVE (Ref # 11)	92026-097	1
UNAVAILABLE IN PRICE BOOK (Ref # 12)	16133-00	1
SPRING,RELEAF VALVE (Ref # 12)	16133-003	1
VALVE,OIL FILTER (Ref # 13)	16126-1108	1
PISTON,RELEAF VALVE (Ref # 13)	16126-002	1
CLAMP,WIRING HARNESS (Ref # 14)	21126-008	1
CLAMP,WIRING HARNESS (Ref # 14)	21126-008	AL
SCREW PAN HEAD 6X12 (Ref # 15)	220B0612	1
RECEIVER,OIL (Ref # 16)	14015-005	1
OIL SEAL,TB13225.5 (Ref # 17)	92051-005	1
PLUG,OIL DRAIN (Ref # 18)	92001-1183	1
.PLUG,OIL DRAIN,12X15 (Ref # 18)	92066-1174	1
"O" RING,22MM (Ref # 19)	670B2022	1
.GASKET,DRIN PLUG (Ref # 19)	92065-097	1

## 1975 KZ400-D PARTS LIST

CRANKCASE ('74 -'75 KZ400/KZ400D)

ITEM NAME	PART NUMBER	QUANTITY
.PIN-DOWEL (Ref # 20)	92042-007	12
.PIN,DOWEL,6X12 (Ref # 21)	551A0612	2
PLATE (Ref # 22)	14082-001	1
.SCREW PAN HEAD 6X12 (Ref # 23)	220B0612	4
CLAMP,OVERFLOW HOSE (Ref # 24)	92037-149	1
.PIN,DOWEL,10X8.2X14 (Ref # 25)	92043-1037	2
SCREW PAN HEAD 6X12 (Ref # 26)	220B0612	1
WASHER,PLAIN (Ref # 27)	92022-304	1
.NOZZLE,OIL BIAS (Ref # 28)	92062-011	1