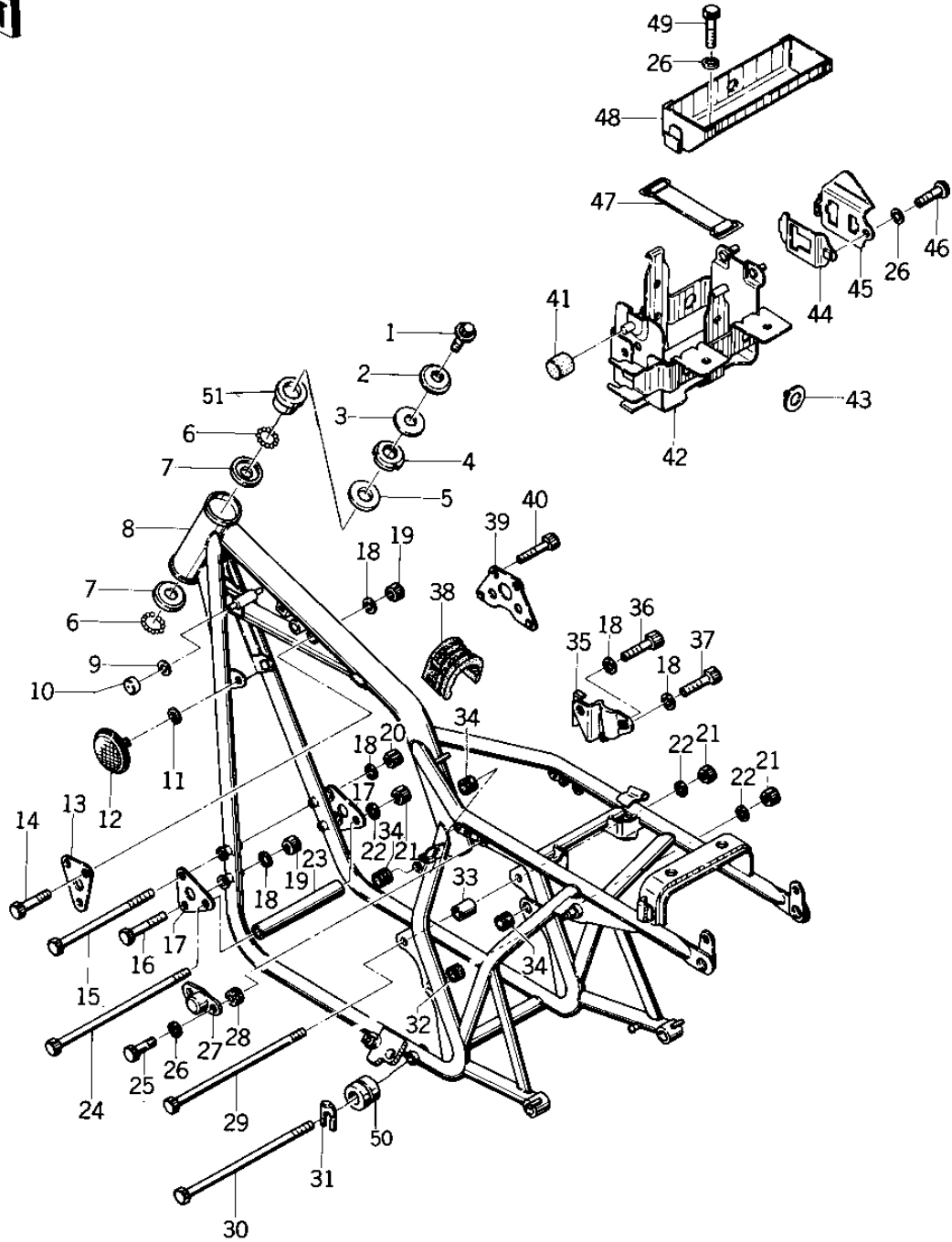


1974 KZ400 PARTS DIAGRAM

FRAME/FRAME FITTINGS ('74 -'75 KZ4



1974 KZ400 PARTS LIST

FRAME/FRAME FITTINGS ('74 -'75 KZ4

ITEM NAME	PART NUMBER	QUANTITY
BOLT,STEERG STEM HEAD (Ref # 1)	92007-031	1
WASHER,STEERG STM HD (Ref # 2)	92022-230	1
WASHER,WAVE (Ref # 3)	46100-003	1
NUT STEERING STEM LCK (Ref # 4)	92090-007	1
CAP, STEERING STEM (Ref # 5)	46098-016	1
BALL STEEL 1/4' (Ref # 6)	600A0800	38
RACE STRNG STEM BERNG (Ref # 7)	92048-006	2
FRAME (Ref # 8)	32002-093	1
WASHER-PL-10.5X26X2.3 (Ref # 9)	92022-044	2
DAMPER RUBBER,FL TANK (Ref # 10)	92075-125	2
DAMPER RUBBER,REFLECT (Ref # 11)	92094-011	2
REFLECTOR,REFLEX,REAR (Ref # 12)	28012-009	2
PLATE,ENG MOUNT,UPPER (Ref # 13)	32030-038	1
BOLT FLANGED 8X55 (Ref # 14)	92001-1398	3
BOLT FLANGED 8X55 (Ref # 14)	92001-1398	3
BOLT,HEX HEAD,8X253 (Ref # 15)	92003-171	1
BOLT,HEX HEAD,8X59 (Ref # 16)	110G0859	2
BOLT,FLANGED,8X60 (Ref # 16)	92001-1581	2
PLATE,ENG MOUNT,FRNT (Ref # 17)	32030-044	2
WASHER SPRING 8MM (Ref # 18)	461F0800	8
NUT,8MM (Ref # 19)	311B0800	5
NUT,LOCK,8MM (Ref # 20)	92015-1124	1
NUT,LOCK,8MM (Ref # 20)	92015-1124	1
NUT,LOCK,10MM (Ref # 21)	92019-021	3
WASHER SPRING 10MM (Ref # 22)	461F1000	3
COLLAR,ENG PLAT,FRNT (Ref # 23)	92027-233	1
BOLT,FLANGED,10X255 (Ref # 24)	92001-1609	1
BOLT-UPSET 6X14 (Ref # 25)	112B0614	2
WASHER SPRING 6MM (Ref # 26)	461F0600	5

1974 KZ400 PARTS LIST

FRAME/FRAME FITTINGS ('74 -'75 KZ4

ITEM NAME	PART NUMBER	QUANTITY
BRACKET,BATTERY CASE (Ref # 27)	32122-031	1
DAMPER RUBBER (Ref # 28)	92075-242	2
BOLT FLANGED 10X220 (Ref # 29)	92002-1197	1
BOLT,HEX HEAD,10X292 (Ref # 30)	92003-162	1
SHIM-ENG FIT FR,0.5MM (Ref # 31)	92025-053	AR
SHIM-ENG FIT FR,0.8MM (Ref # 31)	92025-054	AR
SHIM-ENG FIT FR,1.0MM (Ref # 31)	92025-055	AR
SHIM-ENG FIT FR,1.6MM (Ref # 31)	92025-056	AR
SHIM-ENG FIT FR,2.0MM (Ref # 31)	92025-057	AR
SHIM-ENG FIT FR,2.3MM (Ref # 31)	92025-058	AR
COLLAR,ENG MOUNTING (Ref # 32)	92027-160	1
COLLAR,ENG MOUNT UPPE (Ref # 33)	92027-228	1
GROMMET (Ref # 34)	92071-056	6
GROMMET (Ref # 34)	92071-056	6
PLATE,ENG MOUNT,REAR (Ref # 35)	32030-034	1
BOLT-SMALL-UPSET 8X25 (Ref # 36)	115G0825	1
BOLT,8X20 (Ref # 37)	115G0820	1
DAMPER RUBBER,FL TNK (Ref # 38)	92075-215	1
BRACKET,IGNITION COIL (Ref # 39)	32058-045	1
BRACKET,IGNITON COIL (Ref # 39)	32058-049	1
BOLT,SPROCKET FITTING (Ref # 40)	92003-208	2
DAMPER RUBBER (Ref # 41)	92075-243	1
CASE,BATTERY (Ref # 42)	32097-035	1
DAMPER RUBBER (Ref # 43)	92075-078	6
BRACKET,ELECT BASE (Ref # 44)	32129-004	1
BRACKET,ELECT BASE (Ref # 45)	32129-003	1
SCREW PAN HEAD 6X12 (Ref # 46)	220B0612	1
BAND,OIL TANK (Ref # 47)	92072-045	1
CASE,TOOL (Ref # 48)	32098-023	1