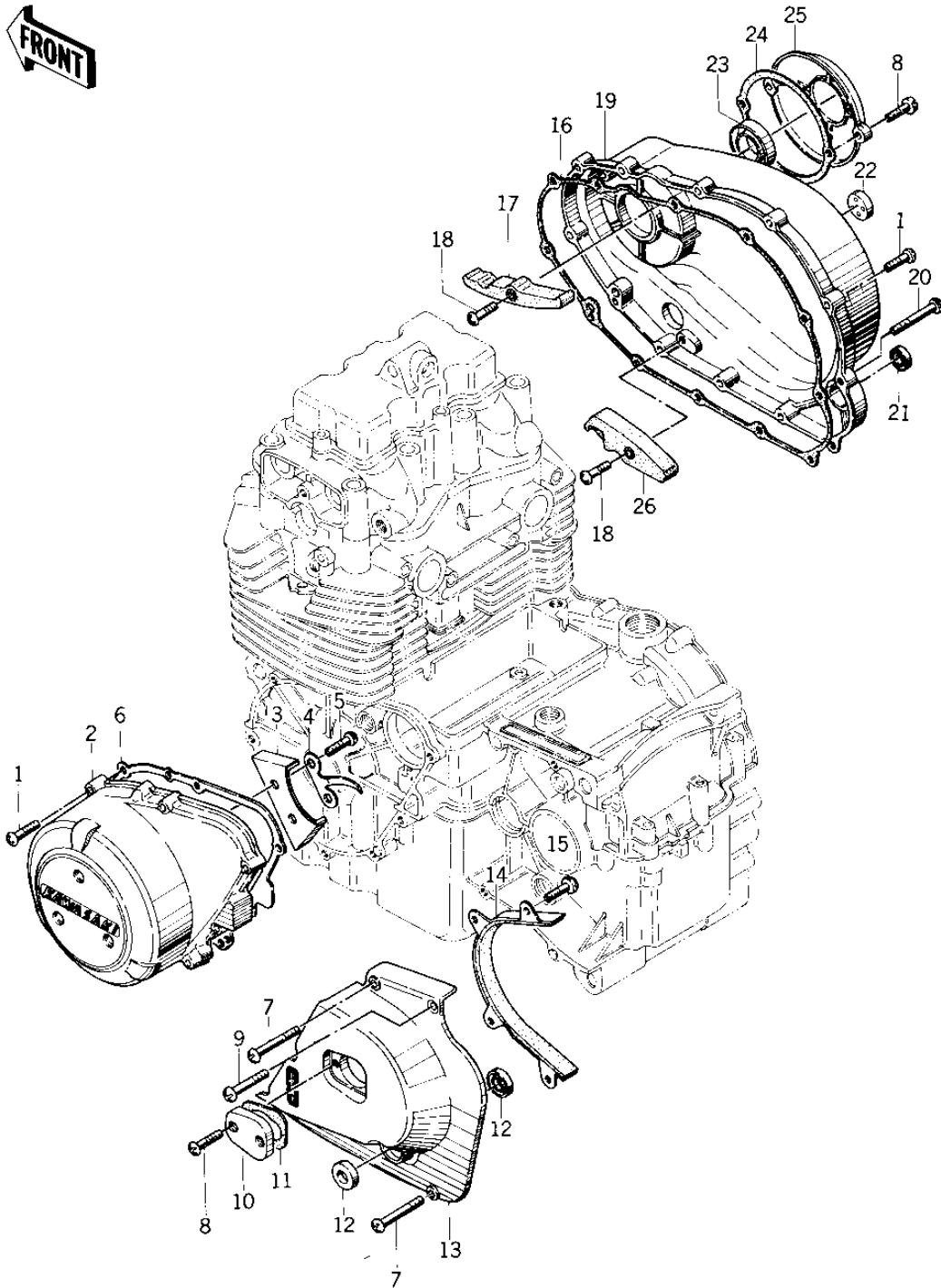


1976 KZ400-D3 PARTS DIAGRAM

ENGINE COVERS (76 -77 KZ400 - D3/D4)

F
—



1011

1976 KZ400-D3 PARTS LIST

ENGINE COVERS ('76 -'77 KZ400 - D3/D4)

ITEM NAME	PART NUMBER	QUANTITY
SCREW PAN HEAD 6X30 (Ref # 1)	220B0630	19
COVER,L.H,ENGINE (Ref # 2)	14031-1007-80	1
COVER,L.H,ENGINE (Ref # 2)	14031-1007-80	1
SLIPPER (Ref # 3)	12053-007	1
PLATE L.H ENG COVER (Ref # 4)	21057-002	1
SCREW PAN HEAD 5X8 (Ref # 5)	220B0508	2
GASKET,L.H ENG COVER (Ref # 6)	14045-021	1
SCREW PAN HEAD 6X50 (Ref # 7)	220B0650	3
SCREW PAN HEAD 6X18 (Ref # 8)	220B0618	4
SCREW PAN HEAD 6X35 (Ref # 9)	220B0635	1
COVER,CLUTCH ADJUSTNG (Ref # 10)	14028-006-80	1
GASKET,CLUTCH ADJ CAP (Ref # 11)	14049-004	1
OIL SEAL,TB13225.5 (Ref # 12)	92051-005	2
COVER,ENG SPROCKET (Ref # 13)	14026-029-80	1
GUIDE,CHAIN (Ref # 14)	14077-004	1
SCREW PAN HEAD 6X16 (Ref # 15)	220B0616	4
SCREW PAN HEAD 6X12 (Ref # 15)	220B0612	4
GASKET,R.H ENG COVER (Ref # 16)	14046-031	1
GUIDE,PRIMARY CHAIN (Ref # 17)	12053-010	1
SCREW PAN HEAD 6X25 (Ref # 18)	220B0625	2
COVER,R.H ENG,BUFF (Ref # 19)	14032-106-80	1
SCREW PAN HEAD 6X40 (Ref # 20)	220B0640	1
OIL SEAL SB20285 (Ref # 21)	92049-012	1
GAUGE,OIL LEVEL (Ref # 22)	52015-004	1
OIL SEAL,R.H CRNKSFT (Ref # 23)	92050-065	1
GASKET,BREAKER COVER (Ref # 24)	14050-010	1
COVERBRK POINT,BUFF (Ref # 25)	14027-019-80	1
GUIDE,PRIMARY CHAIN (Ref # 26)	12053-011	1