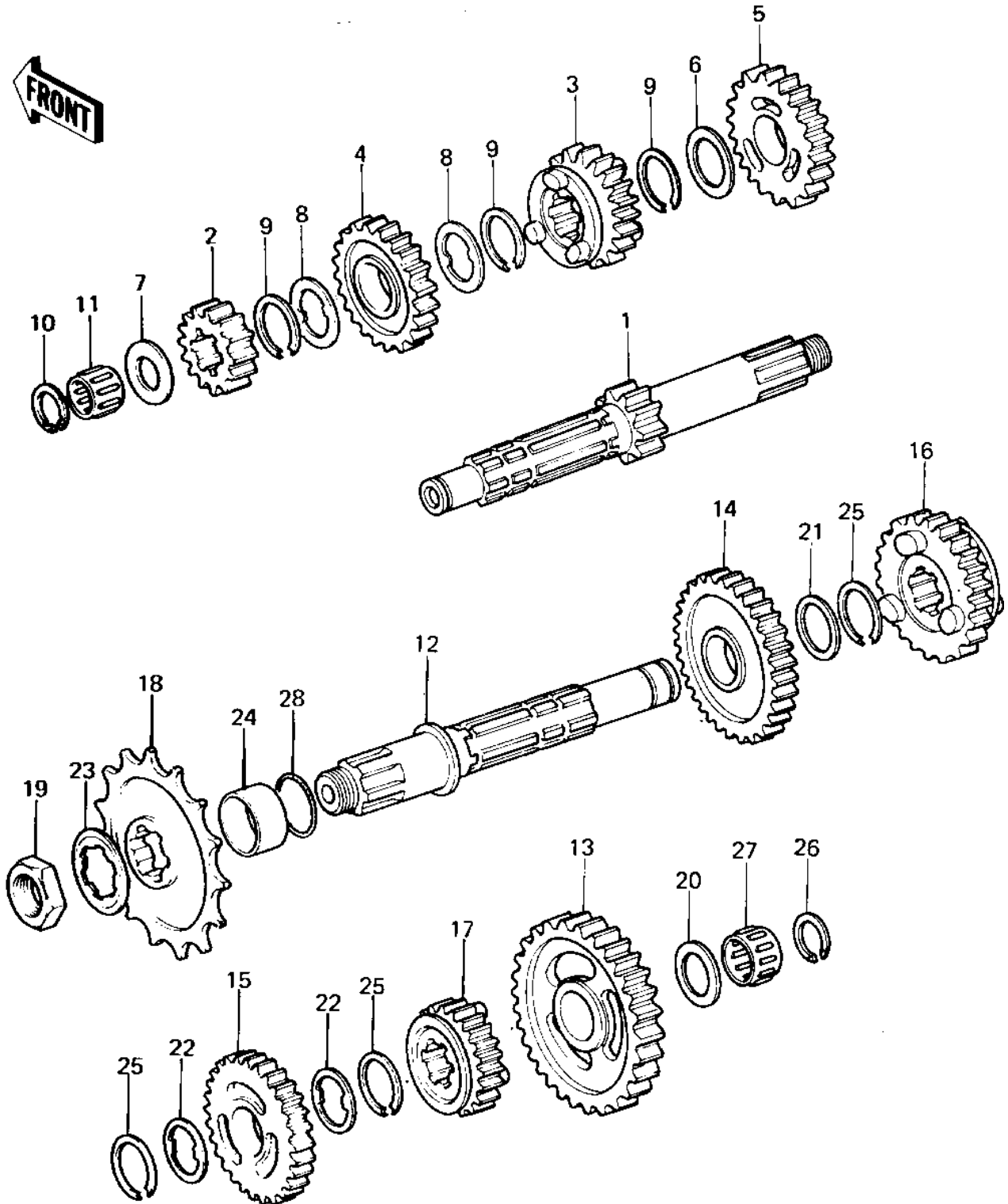


# 1981 KDX420 PARTS DIAGRAM

TRANSMISSION



# 1981 KDX420 PARTS LIST

## TRANSMISSION

ITEM NAME	PART NUMBER	QUANTITY
SHAFT,DRIVE,1ST (Ref # 1)	13127-1024	1
2ND GEAR,DRIVE,16T (Ref # 2)	13129-1173	1
3RD GEAR,DRIVE,20T (Ref # 3)	13129-1174	1
4TH GEAR,DRIVE,21T (Ref # 4)	13129-1175	1
TOP GEAR,DRIVE,24T (Ref # 5)	13129-1128	1
WASHER-PLAIN (Ref # 6)	92022-198	1
WASHER,PLAIN (Ref # 7)	92022-281	1
WASHER-LOCK (Ref # 8)	92024-039	2
CIRCLIP,25MM (Ref # 9)	92033-025	3
CIRCLIP,16MM (Ref # 10)	92033-032	1
BEARING-NEEDLE (Ref # 11)	92046-1184	1
SHAFT,OUTPUT (Ref # 12)	13128-1023	1
LOW GEAR,OUTPUT,40T (Ref # 13)	13129-1176	1
2ND GEAR,OUTPUT,28T (Ref # 14)	13129-1177	1
3RD GEAR,OUTPUT,27T (Ref # 15)	13129-1178	1
4TH GEAR,OUTPUT,22T (Ref # 16)	13129-1179	1
TOP GEAR,OUTPUT,19T (Ref # 17)	13129-1133	1
SPROCKET,ENGINE,15T (Ref # 18)	13144-1026	1
ENGINE SPROCKET 13T (Ref # 18)	13144-055	1
ENGINE SPROCKET,14T (Ref # 18)	13144-1006	1
SPROCKET,ENGINE,16T (Ref # 18)	13144-1028	1
NUT BEARING ADJUST (Ref # 19)	42045-008	1
WASHER THRUST (Ref # 20)	92022-112	1
WASHER-PLAIN 25MM (Ref # 21)	92022-159	1
WASHER-LOCK (Ref # 22)	92024-038	2
WASHER,LOCK (Ref # 23)	92024-065	1
COLLAR,25X32X10.5 (Ref # 24)	92143-1370	1
CIRCLIP (Ref # 25)	92033-026	3
CIRCLIP,18MM (Ref # 26)	92033-029	1

# 1981 KDX420 PARTS LIST

## TRANSMISSION

ITEM NAME	PART NUMBER	QUANTITY
BEARING-NEEDLE,KT2026 (Ref # 27)	92046-1170	1
"O" RING (Ref # 28)	92055-035	1