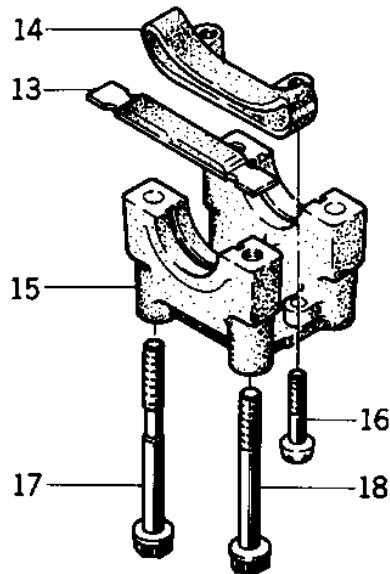
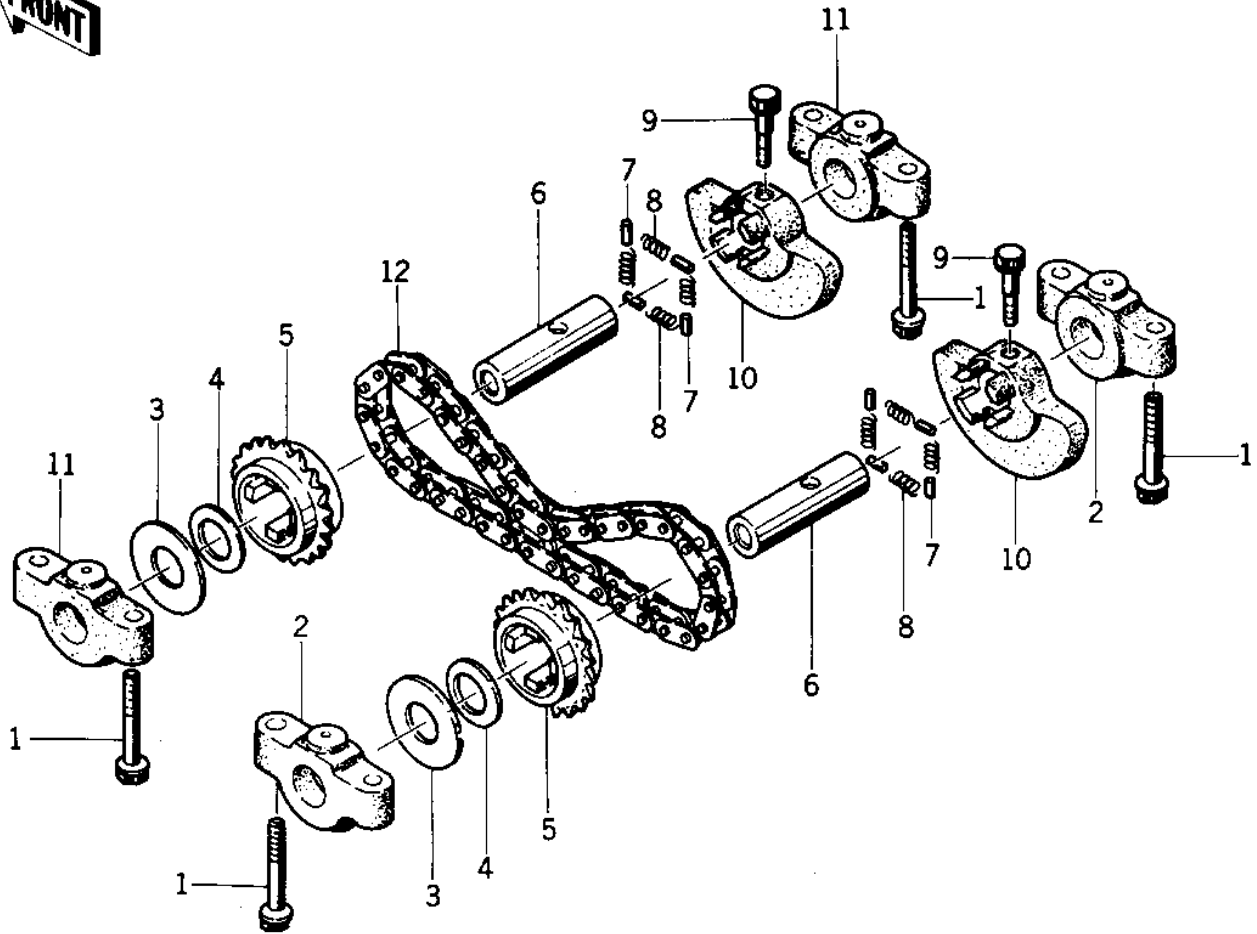


# 1975 Special PARTS DIAGRAM

BALANCER (75 S)



# 1975 Special PARTS LIST

## BALANCER ('75 S)

ITEM NAME	PART NUMBER	QUANTITY
BOLT,HEX HEAD,6X45 (Ref # 1)	92003-092	8
BOLT,6X43 (Ref # 1)	92002-1881	8
BRACKET B ,BALANCER (Ref # 2)	14081-008	2
BRACKET B ,BALANCER (Ref # 2)	14081-008	2
BRACKET B ,BALANCER (Ref # 2)	14081-008	2
WASHER,BALANCER (Ref # 3)	92026-104	2
WASHER,BALANCER (Ref # 4)	92026-131	2
WASHER,BALANCER (Ref # 4)	92026-131	2
SPROCKET,BALANCER (Ref # 5)	12046-005	2
SHAFT,BALANCER (Ref # 6)	12052-006	2
PIN DOWEL 4X8 (Ref # 7)	610A0408	8
SPRING,BALANCER (Ref # 8)	92081-135	8
BOLT,6X32 (Ref # 9)	92003-229	2
BOLT,6X32 (Ref # 9)	92003-229	2
UNAVAILABLE IN PRICE BOOK (Ref # 10)		2
BALANCER (Ref # 11)	13041-004	2
BRACKET A ,BALANCER (Ref # 11)	14081-007	2
BRACKET A ,BALANCER (Ref # 11)	14081-007	2
CHAIN BALANCER (Ref # 12)	21070-006	1
SLIPPER (Ref # 13)	12053-004	1
GUIDE-CHAIN,BALANCER (Ref # 14)	12053-1051	1
SCREW PAN HEAD 6X30 (Ref # 16)	220B0630	2
BOLT (Ref # 17)	92001-1480	2
BOLT,HEX HEAD,8X81 (Ref # 18)	92003-108	2