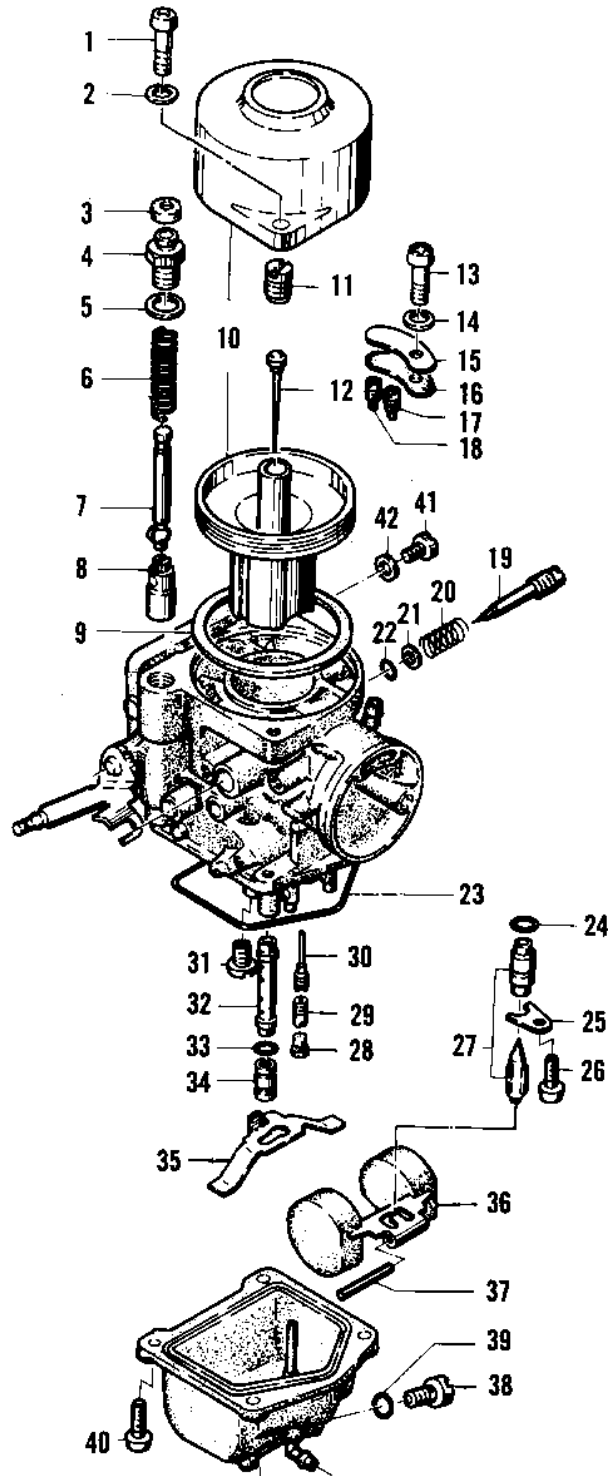


1975 Special PARTS DIAGRAM

CARBURETOR PARTS ('75 S)



1975 Special PARTS LIST

CARBURETOR PARTS ('75 S)

ITEM NAME	PART NUMBER	QUANTITY
SCREW PAN HEAD 5X16 (Ref # 1)	220B0516A	4
WASHER SPRING 5MM (Ref # 2)	461F0500	4
CAP,STARTER PLUNGER (Ref # 3)	16036-014	2
CAP,STARTER PLUNGER (Ref # 4)	16012-018	2
WASHER,PLAIN (Ref # 5)	16039-022	2
SPRING,STARTER PLUNG (Ref # 6)	16013-012	2
SHAFT,STARTER PLUNGR (Ref # 7)	16041-007	2
PLUNGER,STARTER (Ref # 8)	16016-015	2
GASKET,VACUUM PISTON (Ref # 9)	16029-008	2
VACUUM PISTN&CAB CAP (Ref # 10)	16059-003	2
HOLDER,JET NEEDLE (Ref # 11)	16018-003	2
JET NEEDLE,303011 (Ref # 12)	16009-069	2
SCREW PAN HEAD 4X6 (Ref # 13)	220B0406	2
WASHER SPRING 4MM (Ref # 14)	461F0400	2
PLATE,AIR JET (Ref # 15)	16055-005	2
GASKET,AIR JET PLATE (Ref # 16)	16029-009	2
AIR JET,#60 (Ref # 17)	16035-003	2
AIR JET,#90 (Ref # 18)	16035-005	2
SCREW,PILOT ADJUST (Ref # 19)	16014-013	2
SPRING,PILOT ADJ SCR (Ref # 20)	16015-007	2
WASHER,PLAIN,3.6MM (Ref # 21)	16039-021	2
"O" RING,PILOT SCREW (Ref # 22)	16038-011	2
"O" RING,FLOAT BALL (Ref # 23)	16019-024	2
RING-O (Ref # 24)	92055-1246	2
PLATE,FLOAT VALVE (Ref # 25)	16055-006	2
SCREW PAN HEAD 4X6 (Ref # 26)	220B0406	2
FLOAT VALVE ASSY (Ref # 27)	16030-023	2
CAP,PILOT JET RUBBER (Ref # 28)	16036-015	2
PILOT JET,#35 (Ref # 29)	92064-043	2

1975 Special PARTS LIST

CARBURETOR PARTS ('75 S)

ITEM NAME	PART NUMBER	QUANTITY
SLOW JET,#35 (Ref # 30)	16158-002	2
STARTER JET,#72 (Ref # 31)	16157-002	2
NEEDLE JET (Ref # 32)	16017-088	2
"O" RING MAIN JET (Ref # 33)	16038-013	2
MAIN JET,#125 (Ref # 34)	92063-137	2
MAIN JET,#115 (Ref # 34)	92063-136	(2
MAIN JET,#120 (Ref # 34)	92063-129	(2
MAIN JET, #130 (Ref # 34)	92063-130	(2
MAIN JET,#135 (Ref # 34)	92063-128	(2
MAIN JET,#140 (Ref # 34)	92063-138	(2
MAIN JET, #150 (Ref # 34)	92063-131	(2
MAIN JET, #160 (Ref # 34)	92063-132	(2
PLATE,MAIN JET (Ref # 35)	16055-007	2
FLOAT (Ref # 36)	16031-027	2
FLOAT PIN (Ref # 37)	16032-007	2
SCREW,DRAIN (Ref # 38)	16033-018	2
"O" RING,DRAIN SCREW (Ref # 39)	92055-1003	2
SCREW PAN HEAD 4X10 (Ref # 40)	220B0410	7
SCREW,PLUG (Ref # 41)	16033-019	2
WASHER,PLAIN,6MM (Ref # 42)	16039-028	2