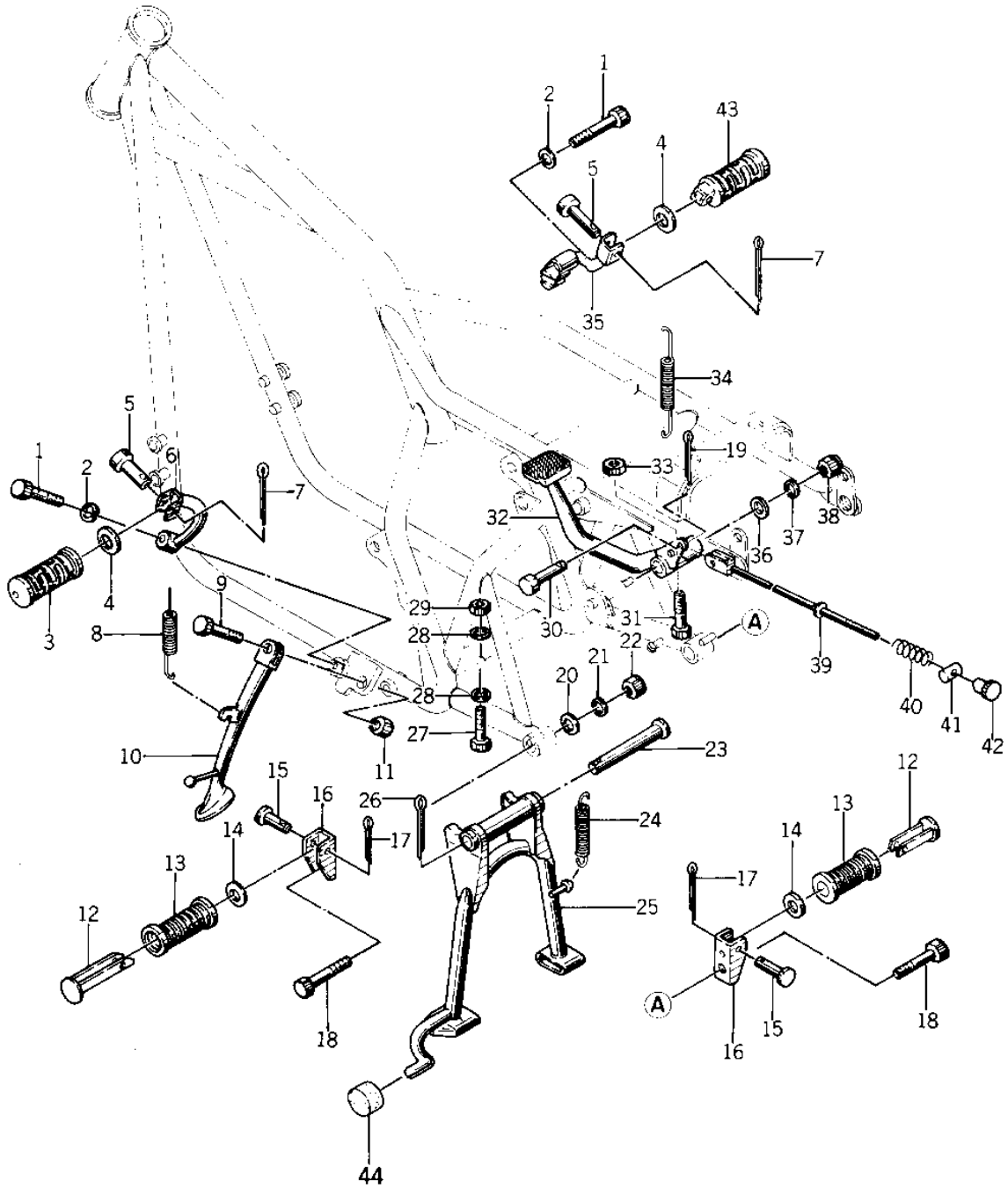


1975 Special PARTS DIAGRAM

FOOTRESTS/STANDS/BRAKE PEDAL (75 S)



1975 Special PARTS LIST

FOOTRESTS/STANDS/BRAKE PEDAL ('75 S)

ITEM NAME	PART NUMBER	QUANTITY
BOLT-HEX HEAD,12X36 (Ref # 1)	113B1236A	2
WASHER SPRING 12MM (Ref # 2)	461F1200	2
BAR-FOOTREST,L.H (Ref # 3)	34028-011	1
WASHER,PLAIN (Ref # 4)	92022-250	2
PIN-FOOTREST BAR FIT (Ref # 5)	92043-080	2
BRACKET,FOOTREST,L.H (Ref # 6)	34003-053	1
PIN COTTER 2.5X16 (Ref # 7)	550D2516	2
SPRING,SIDE STAND (Ref # 8)	34025-007	1
BOLT, SIDE STAND FIT (Ref # 9)	92003-157	1
STAND-SIDE (Ref # 10)	34024-048	1
NUT 10MM (Ref # 11)	315B1000	1
BAR-RR FOOTREST (OPT) (Ref # 12)	34028-009	2
BAR-RR FOOTREST (OPT) (Ref # 12)	34028-009	2
RUBBER,REAR FOOTREST (Ref # 13)	92076-024	2
WASHER-PLAIN (OPT) (Ref # 14)	92022-199	2
PIN (Ref # 15)	92043-1464	2
BRACKET,STEP (Ref # 16)	32054-1021	2
PIN,COTTER,2.0X12 (Ref # 17)	550D2012	2
BOLT,HEX HEAD,10X50 (Ref # 18)	92001-1254	2
PIN COTTER 2.5X16 (Ref # 19)	550D2516	1
WASHER PLAIN 10MM (Ref # 20)	410B1000	2
WASHER SPRING 10MM (Ref # 21)	461F1000	2
NUT,10MM (Ref # 22)	314B1000	2
SHAFT,MAIN STAND (Ref # 23)	34019-015	1
SPRING,MAIN STAND (Ref # 24)	34023-016	1
STAND-MAIN (Ref # 25)	34011-053	1
PIN COTTER 3.0X30 (Ref # 26)	550D3030	1
BOLT 6X35 (Ref # 27)	110R0635	2
WASHER PLAIN 6MM (Ref # 28)	410B0600	4

1975 Special PARTS LIST

FOOTRESTS/STANDS/BRAKE PEDAL ('75 S)

ITEM NAME	PART NUMBER	QUANTITY
NUT (Ref # 29)	92019-008	2
PIN,BRAKE ROD FITTING (Ref # 30)	92043-090	1
BOLT-UPSET (Ref # 31)	112G0625	1
PEDAL,BRAKE (Ref # 32)	43001-064	1
NUT 6MM (Ref # 33)	311B0600	1
SPRING,BRAKE PEDAL (Ref # 34)	43005-029	1
BRACKET,FOOTREST,R.H (Ref # 35)	34003-054	1
WASHER,8.5X20X1.6 (Ref # 36)	92022-1561	1
WASHER SPRING 8MM (Ref # 37)	461F0800	1
NUT,CAP AND LOCK,8MM (Ref # 38)	92019-013	1
ROD,BRAKE (Ref # 39)	43011-026	1
SPRING,BRAKE ROD (Ref # 40)	43012-001	1
PIN-BRAKE ROD (Ref # 41)	92043-065	1
NUT-BRAKE ROD ADJUST (Ref # 42)	92015-042	1
BAR-FOOTREST,R.H (Ref # 43)	34028-012	1
DAMPER RUBB-MAIN STND (Ref # 44)	92075-115	1